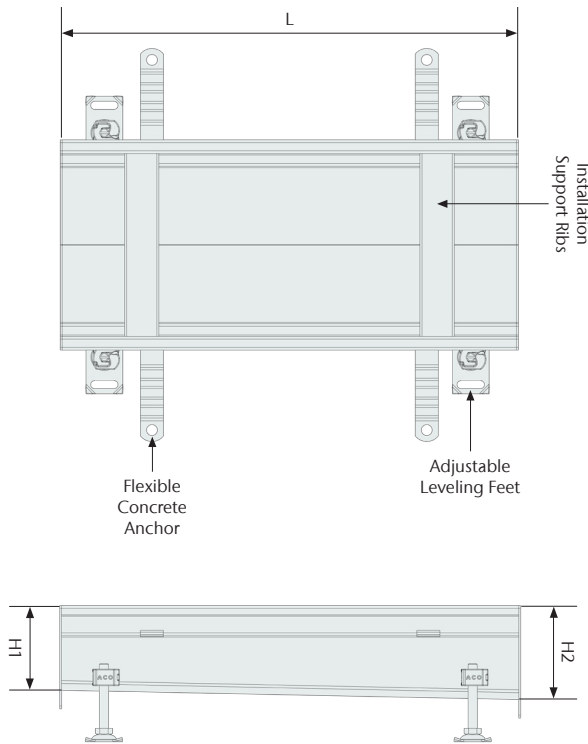
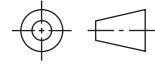


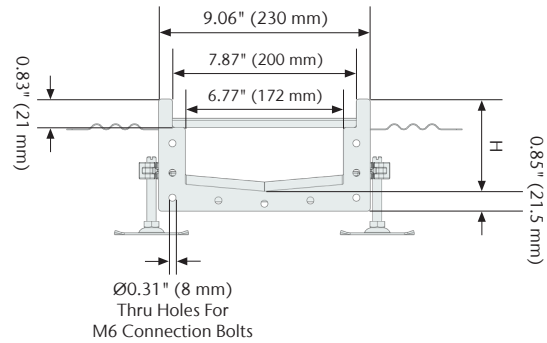
Sloping Invert Channels - MOD200



Specification Clause

ACO Modular 200 sloping invert channels. Overall length and height varies, see tables. Made from 16ga (1.5mm) AISI 304 or AISI 316L, pickle passivated finish. All channels provided with NBR seal and connection bolts on one side. Number of concrete anchors and adjustable leveling feet varies by channel length. Multiple grate options available.

ACO recommends checking local plumbing codes prior to installation.



Part No.	Material	Height (H1) in (mm)	Height (H2) in (mm)	Length (L) in (mm)	Weight lbs.
401855	AISI 304	2.17 (55)	2.36 (60)	19.69 (500)	6.0
401871	AISI 304	2.36 (60)	2.76 (70)	39.37 (1000)	11.5
402464	AISI 304	2.76 (70)	3.15 (80)	39.37 (1000)	15.9
402466	AISI 304	3.15 (80)	3.54 (90)	39.37 (1000)	16.3
402468	AISI 304	3.54 (90)	3.94 (100)	39.37 (1000)	17.0
402470	AISI 304	3.94 (100)	4.33 (110)	39.37 (1000)	17.7
401887	AISI 304	2.36 (60)	2.76 (70)	78.74 (2000)	28.9
402472	AISI 304	2.76 (70)	3.15 (80)	78.74 (2000)	29.5
402474	AISI 304	3.15 (80)	3.54 (90)	78.74 (2000)	30.9
402476	AISI 304	3.54 (90)	3.94 (100)	78.74 (2000)	32.4
402478	AISI 304	3.94 (100)	4.33 (110)	78.74 (2000)	33.5
402480	AISI 304	4.33 (110)	4.72 (120)	78.74 (2000)	34.8
402482	AISI 304	2.36 (60)	3.15 (80)	118.11 (3000)	42.1
402484	AISI 304	3.15 (80)	3.94 (100)	118.11 (3000)	45.4
402486	AISI 304	3.94 (100)	4.72 (120)	118.11 (3000)	50.7
402488	AISI 304	4.72 (120)	5.51 (140)	118.11 (3000)	54.7

Part No.	Material	Height (H1) in (mm)	Height (H2) in (mm)	Length (L) in (mm)	Weight lbs.
401856	AISI 316L	2.17 (55)	2.36 (60)	19.69 (500)	6.0
401872	AISI 316L	2.36 (60)	2.76 (70)	39.37 (1000)	11.5
402465	AISI 316L	2.76 (70)	3.15 (80)	39.37 (1000)	15.9
402467	AISI 316L	3.15 (80)	3.54 (90)	39.37 (1000)	16.3
402469	AISI 316L	3.54 (90)	3.94 (100)	39.37 (1000)	17.0
402471	AISI 316L	3.94 (100)	4.33 (110)	39.37 (1000)	17.7
401888	AISI 316L	2.36 (60)	2.76 (70)	78.74 (2000)	28.9
402473	AISI 316L	2.76 (70)	3.15 (80)	78.74 (2000)	29.5
402475	AISI 316L	3.15 (80)	3.54 (90)	78.74 (2000)	30.9
402477	AISI 316L	3.54 (90)	3.94 (100)	78.74 (2000)	32.4
402479	AISI 316L	3.94 (100)	4.33 (110)	78.74 (2000)	33.5
402481	AISI 316L	4.33 (110)	4.72 (120)	78.74 (2000)	34.8
402483	AISI 316L	2.36 (60)	3.15 (80)	118.11 (3000)	42.1
402485	AISI 316L	3.15 (80)	3.94 (100)	118.11 (3000)	45.4
402487	AISI 316L	3.94 (100)	4.72 (120)	118.11 (3000)	50.7
402489	AISI 316L	4.72 (120)	5.51 (140)	118.11 (3000)	54.7

ACO, Inc.

West Sales Office
825 W. Beechcraft Street
Casa Grande, AZ 85122
Tel: (520) 421-9988
Toll-Free: (888) 490-9552
Fax: (520) 421-9899

Northeast Sales Office
9470 Pinecone Drive
Mentor, OH 44060
Tel: (440) 639-7230
Toll-Free: (800) 543-4764
Fax: (440) 639-7235

Southeast Sales Office
4211 Pleasant Road
Fort Mill, SC 29708
Toll-Free: (800) 543-4764
Fax: (803) 802-1063

info@acousa.com
www.acousa.com

© December 2021 ACO, Inc.

All reasonable care has been taken in compiling the information in this document. All recommendations and suggestions on the use of ACO products are made without guarantee since the conditions of use are beyond the control of the company. It is the customer's responsibility to ensure that each product is fit for its intended purpose and that the actual conditions of use are suitable. ACO, Inc. reserves the right to change products and specifications without notice.

ACO. creating the future of drainage

