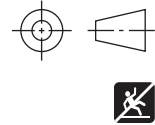
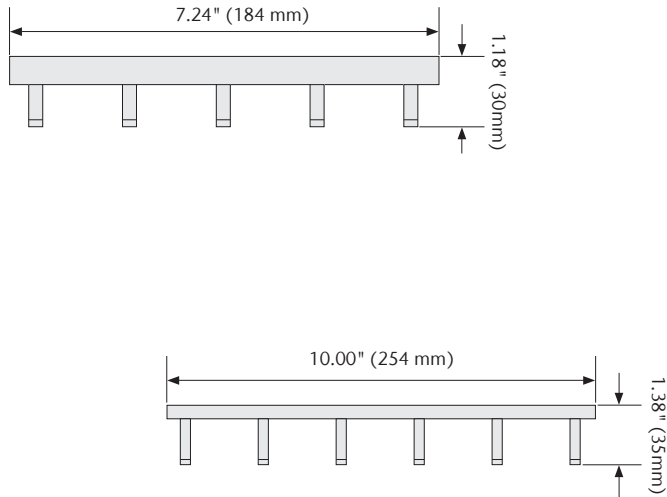
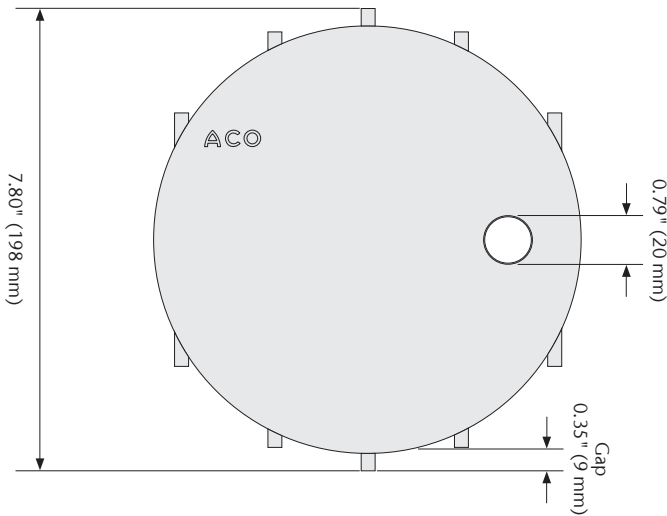


FloorDrain - Round Slot Cover Grate

9" Round Slot Cover Grate

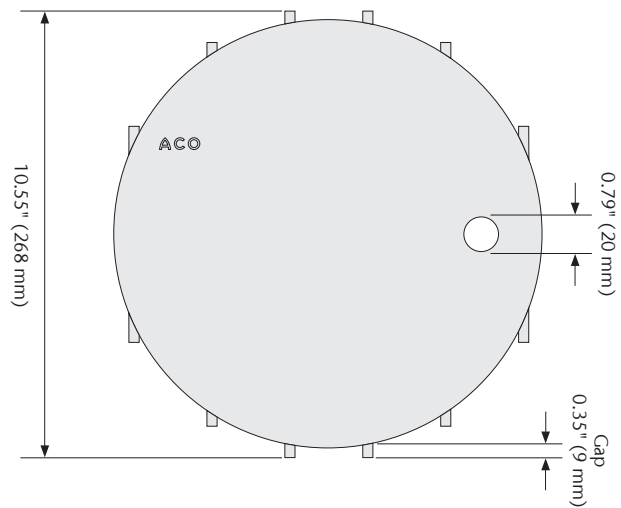


Specification Clause

Used with ACO Round Floor Drains. Made from AISI 304 or AISI 316L. Electropolished finish. Fully drainable, inspectable and cleanable. Fully welded hygienic joints. Slip resistant. Load class per ASME A112.6.3, section 5.

ACO recommends checking local plumbing codes prior to installation.

12" Round Slot Cover Grate



Parts

	Part No.	Grate Material	EN1253 Load Class	Weight lbs	ASME Load Class
9" Round Slot Cover Grate	446788	AISI 304	M125	6.6	Special Duty
	446789	AISI 316L	M125	6.6	Special Duty
12" Round Slot Cover Grate	446790	AISI 304	M125	9.9	Special Duty
	446791	AISI 316L	M125	9.9	Special Duty

ACO, Inc.

West Sales Office
825 W. Beechcraft Street
Casa Grande, AZ 85122
Tel: (520) 421-9988
Toll-Free: (888) 490-9552
Fax: (520) 421-9899

Northeast Sales Office
9470 Pinecone Drive
Mentor, OH 44060
Tel: (440) 639-7230
Toll-Free: (800) 543-4764
Fax: (440) 639-7235

Southeast Sales Office
4211 Pleasant Road
Fort Mill, SC 29708
Toll-Free: (800) 543-4764
Fax: (803) 802-1063

info@acousa.com
www.acousa.com

© November 2021 ACO, Inc.

All reasonable care has been taken in compiling the information in this document. All recommendations and suggestions on the use of ACO products are made without guarantee since the conditions of use are beyond the control of the company. It is the customer's responsibility to ensure that each product is fit for its intended purpose and that the actual conditions of use are suitable. ACO, Inc. reserves the right to change products and specifications without notice.

ACO. creating
the future of drainage



ACO Specification Information