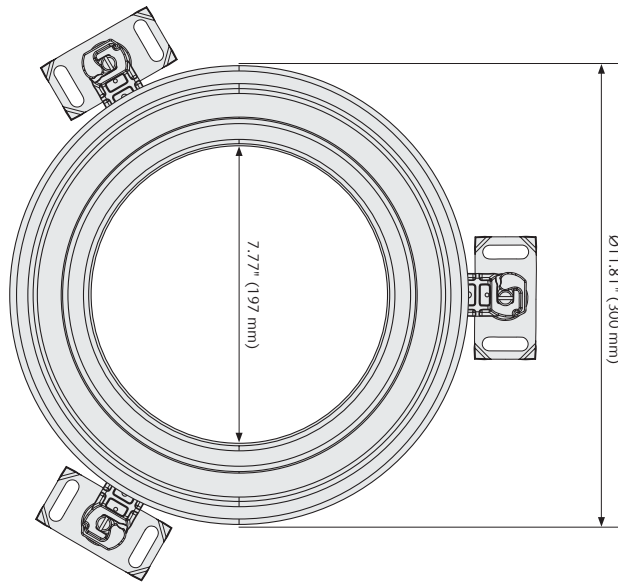
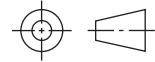


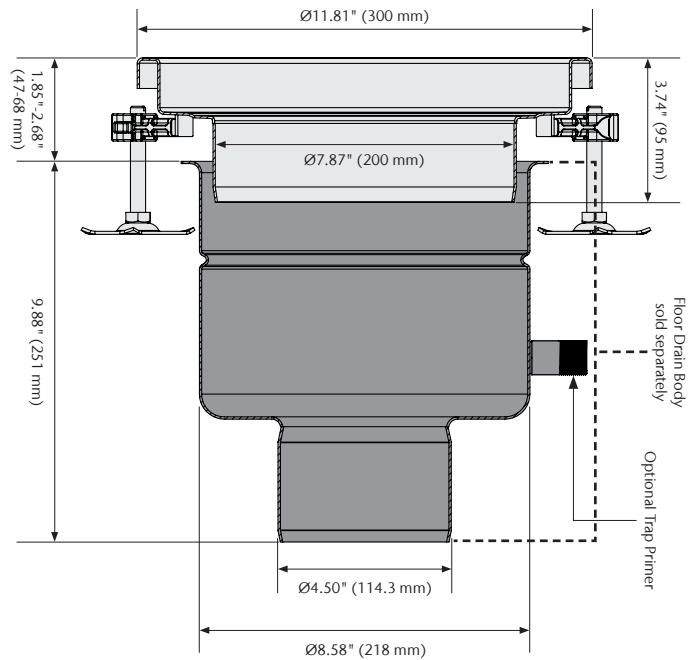
FloorDrain - 12" Round Adjustable Top



Specification Clause

ACO 12" Round FloorDrain Top with pickled passivated brushed stainless finish, 304 or 316L stainless steel material with PUR epoxy infill, leveling feet and concrete anchors standard. Used with adjustable body, bottom or side outlet, grate, silt basket, with optional clamping flange, trap primer and p-trap available upon request. Certified to NSF/ANSI/3-A Standard 141.59-1.

ACO recommends checking local plumbing codes prior to installation.



Parts	Part No.	Grate Material	Weight lbs
12" Round Adjustable Top	446764	AISI 304	5.3
	446765	AISI 316L	5.3

ACO, Inc.

West Sales Office
825 W. Beechcraft Street
Casa Grande, AZ 85122
Tel: (520) 421-9988
Toll-Free: (888) 490-9552
Fax: (520) 421-9899

Northeast Sales Office
9470 Pinecone Drive
Mentor, OH 44060
Tel: (440) 639-7230
Toll-Free: (800) 543-4764
Fax: (440) 639-7235

Southeast Sales Office
4211 Pleasant Road
Fort Mill, SC 29708
Toll-Free: (800) 543-4764
Fax: (803) 802-1063

info@acousa.com
www.acousa.com

© November 2021 ACO, Inc.
All reasonable care has been taken in compiling the information in this document. All recommendations and suggestions on the use of ACO products are made without guarantee since the conditions of use are beyond the control of the company. It is the customer's responsibility to ensure that each product is fit for its intended purpose and that the actual conditions of use are suitable. ACO, Inc. reserves the right to change products and specifications without notice.

ACO. creating the future of drainage



ACO Specification Information