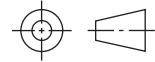
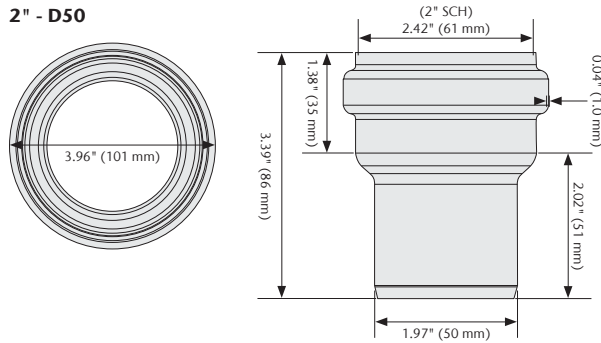


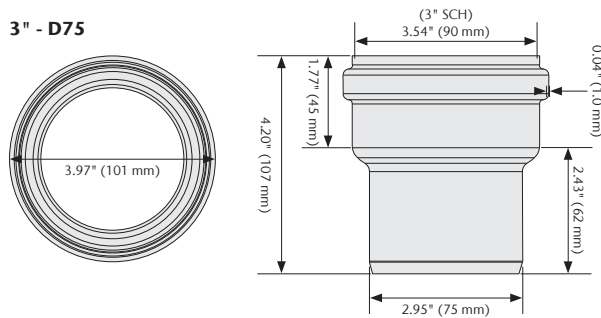
Pipe - Increaser Coupler (Imperial to Metric)



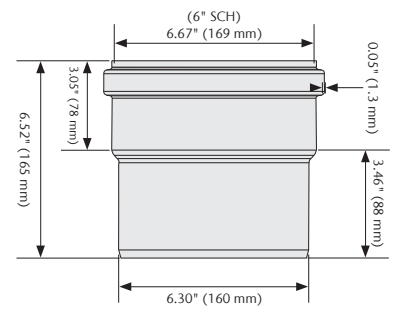
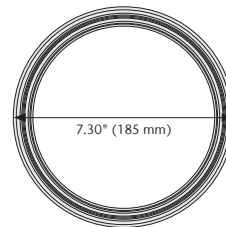
2" - D50



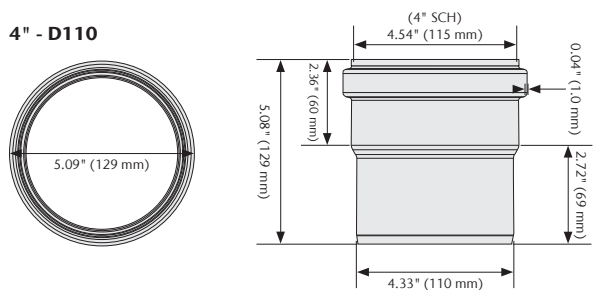
3" - D75



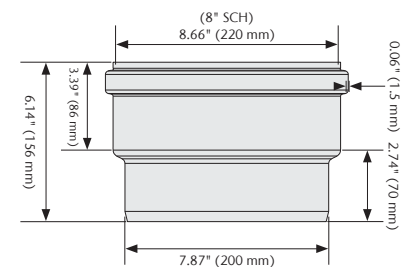
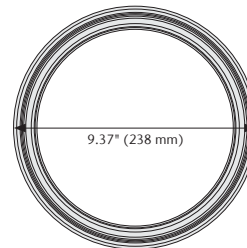
6" - D160



4" - D110



8" - D200



Specification Clause

Used with imperial male end pipe. Made from AISI 316L. Used to transition imperial male end pipe section (SCH05/10/40/80) to a metric outside diameter for use with metric ACO Pipe. Resistant to thermal and dynamic shocks. Rodent-proof and sag-proof. Non-combustible. Double lip seal push-fit connection. Designed for gravity piping system. FPM or NBR gasket material also available upon request. Manufactured to EN 1124-1 and 1124-2.

ACO recommends checking local plumbing codes prior to installation.

Parts	Part No.	Material	Gasket Material	Weight lbs
2" - D50 Pipe Increaser Coupler	417491	AISI 316L	EPDM	0.5
3" - D75 Pipe Increaser Coupler	417492	AISI 316L	EPDM	0.9
4" - D110 Pipe Increaser Coupler	417493	AISI 316L	EPDM	1.4
6" - D160 Pipe Increaser Coupler	417494	AISI 316L	EPDM	2.8
8" - D200 Pipe Increaser Coupler	417495	AISI 316L	EPDM	6.6

ACO, Inc.

West Sales Office
825 W. Beechcraft Street
Casa Grande, AZ 85122
Tel: (520) 421-9988
Toll-Free: (888) 490-9552
Fax: (520) 421-9899

info@acousa.com
www.acousa.com
www.acobuildingdrainage.us

© March 2022 ACO, Inc. All reasonable care has been taken in compiling the information in this document. All recommendations and suggestions on the use of ACO products are made without guarantee since the conditions of use are beyond the control of the company. It is the customer's responsibility to ensure that each product is fit for its intended purpose and that the actual conditions of use are suitable. ACO, Inc. reserves the right to change products and specifications without notice.

ACO. creating the future of drainage



ACO Specification Information