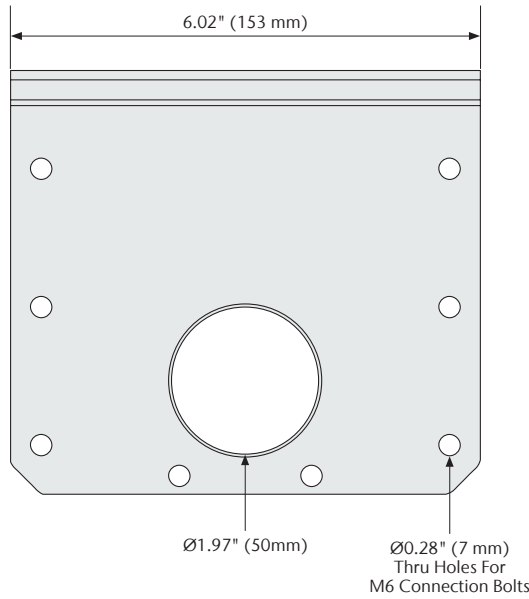
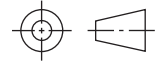


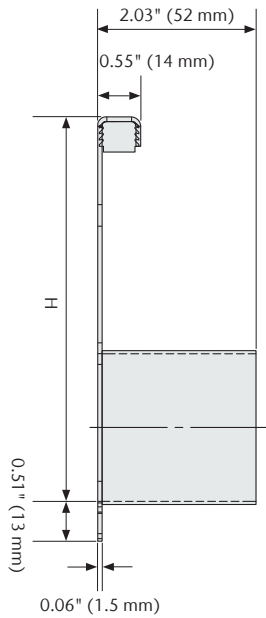
End Cap with 2" Outlet - MOD125



Specification Clause

ACO Modular 125 outlet end caps. Overall width 6.02", total height varies - see tables. Made from 16ga (1.5mm) AISI 304 or AISI 316L, pickle passivated finish. All caps provided with NBR seal and connection bolts. Used on ACO Modular 125 channels.

ACO recommends checking local plumbing codes prior to installation.



Part No.	Material	Height (H) in (mm)	Weight lbs.
409116	AISI 304	3.74 (95)	0.7
409117	AISI 304	4.33 (110)	0.9
409118	AISI 304	4.92 (125)	1.1

Part No.	Material	Height (H) in (mm)	Weight lbs.
409121	AISI 316L	3.74 (95)	0.7
409122	AISI 316L	4.33 (110)	0.9
409123	AISI 316L	4.92 (125)	1.1

ACO, Inc.

West Sales Office
825 W. Beechcraft Street
Casa Grande, AZ 85122
Tel: (520) 421-9988
Toll-Free: (888) 490-9552
Fax: (520) 421-9899

Northeast Sales Office
9470 Pinecone Drive
Mentor, OH 44060
Tel: (440) 639-7230
Toll-Free: (800) 543-4764
Fax: (440) 639-7235

Southeast Sales Office
4211 Pleasant Road
Fort Mill, SC 29708
Toll-Free: (800) 543-4764
Fax: (803) 802-1063

info@acousa.com
www.acousa.com

© August 2021 ACO, Inc.

All reasonable care has been taken in compiling the information in this document. All recommendations and suggestions on the use of ACO products are made without guarantee since the conditions of use are beyond the control of the company. It is the customer's responsibility to ensure that each product is fit for its intended purpose and that the actual conditions of use are suitable. ACO, Inc. reserves the right to change products and specifications without notice.

ACO. creating
the future of drainage



ACO Specification Information