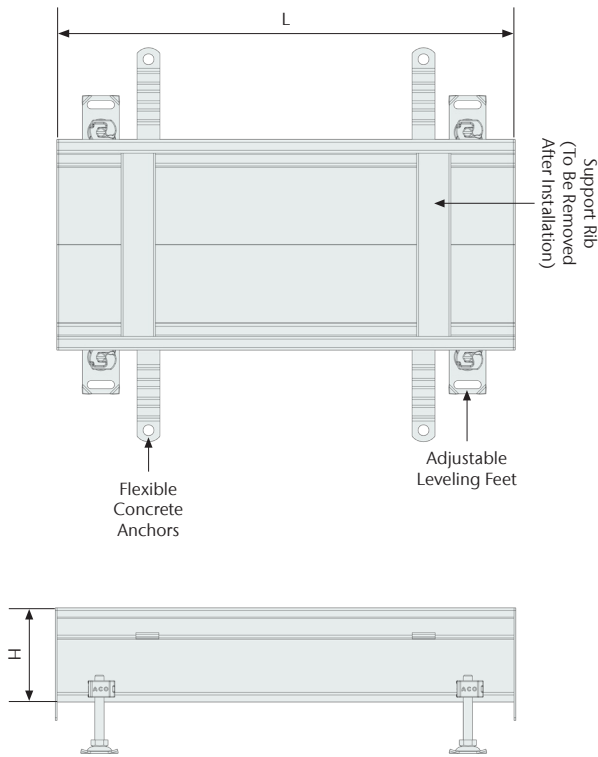
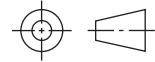


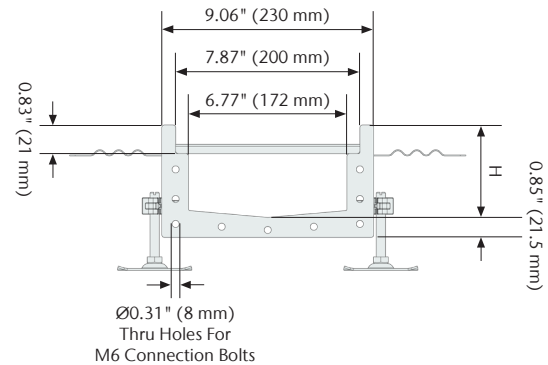
Neutral Unit Channels - MOD200



Specification Clause

ACO Modular 200 neutral unit channels. Overall length and height varies, see tables. Made from 16ga (1.5mm) AISI 304 or AISI 316L, pickle passivated finish. All channels provided with NBR seal and connection bolts on one side. Number of concrete anchors and adjustable leveling feet varies by channel length. Multiple grate options available.

ACO recommends checking local plumbing codes prior to installation.



Part No.	Material	Height (H) in (mm)	Length (L) in (mm)	Weight lbs.
409072	AISI 304	2.36 (60)	19.69 (500)	5.4
409047	AISI 304	2.76 (70)	19.69 (500)	6.6
409048	AISI 304	3.15 (80)	19.69 (500)	7.1
409049	AISI 304	3.94 (100)	19.69 (500)	8.6
401859	AISI 304	2.36 (60)	39.37 (1000)	12.2
409054	AISI 304	2.76 (70)	39.37 (1000)	12.7
409055	AISI 304	3.15 (80)	39.37 (1000)	13.3
409056	AISI 304	3.94 (100)	39.37 (1000)	14.5
401875	AISI 304	2.36 (60)	78.74 (2000)	22.2
409060	AISI 304	2.76 (70)	78.74 (2000)	23.3
409061	AISI 304	3.15 (80)	78.74 (2000)	24.4
409062	AISI 304	3.94 (100)	78.74 (2000)	26.6
401895	AISI 304	2.36 (60)	118.11 (3000)	33.8
409066	AISI 304	2.76 (70)	118.11 (3000)	35.4
409067	AISI 304	3.15 (80)	118.11 (3000)	37.4
409068	AISI 304	3.94 (100)	118.11 (3000)	38.6

Part No.	Material	Height (H) in (mm)	Length (L) in (mm)	Weight lbs.
409050	AISI 316L	2.36 (60)	19.69 (500)	5.4
409051	AISI 316L	2.76 (70)	19.69 (500)	6.6
409052	AISI 316L	3.15 (80)	19.69 (500)	7.1
409053	AISI 316L	3.94 (100)	19.69 (500)	8.6
401860	AISI 316L	2.36 (60)	39.37 (1000)	12.2
409057	AISI 316L	2.76 (70)	39.37 (1000)	12.7
409058	AISI 316L	3.15 (80)	39.37 (1000)	13.3
409059	AISI 316L	3.94 (100)	39.37 (1000)	14.5
401876	AISI 316L	2.36 (60)	78.74 (2000)	22.2
409063	AISI 316L	2.76 (70)	78.74 (2000)	23.3
409064	AISI 316L	3.15 (80)	78.74 (2000)	24.4
409065	AISI 316L	3.94 (100)	78.74 (2000)	26.6
401896	AISI 316L	2.36 (60)	118.11 (3000)	33.8
409069	AISI 316L	2.76 (70)	118.11 (3000)	35.4
409070	AISI 316L	3.15 (80)	118.11 (3000)	37.4
409071	AISI 316L	3.94 (100)	118.11 (3000)	38.6

ACO, Inc.

West Sales Office  
825 W. Beechcraft Street  
Casa Grande, AZ 85122  
Tel: (520) 421-9988  
Toll-Free: (888) 490-9552  
Fax: (520) 421-9899

Northeast Sales Office  
9470 Pinecone Drive  
Mentor, OH 44060  
Tel: (440) 639-7230  
Toll-Free: (800) 543-4764  
Fax: (440) 639-7235

Southeast Sales Office  
4211 Pleasant Road  
Fort Mill, SC 29708  
Toll-Free: (800) 543-4764  
Fax: (803) 802-1063

info@acousa.com  
www.acousa.com

© December 2021 ACO, Inc.

All reasonable care has been taken in compiling the information in this document. All recommendations and suggestions on the use of ACO products are made without guarantee since the conditions of use are beyond the control of the company. It is the customer's responsibility to ensure that each product is fit for its intended purpose and that the actual conditions of use are suitable. ACO, Inc. reserves the right to change products and specifications without notice.

ACO. creating the future of drainage



ACO Specification Information