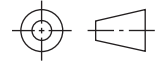
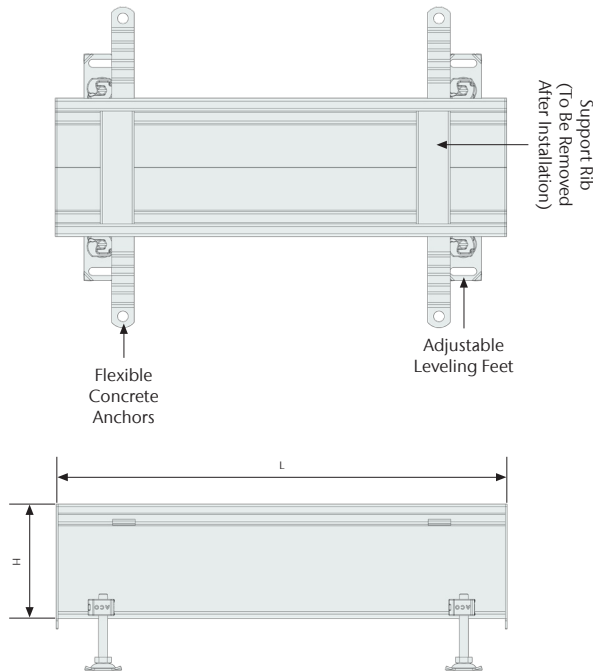


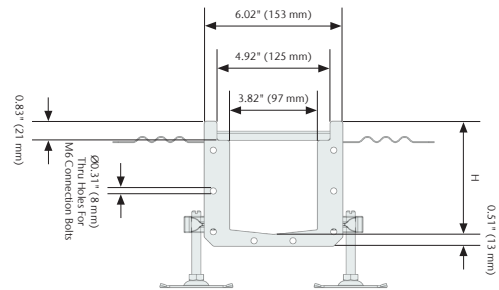
Neutral Unit Channels - MOD125



Specification Clause

ACO Modular 125 neutral unit channels. Overall length and height varies, see tables. Channels made from 16ga (1.5mm) AISI 304 or AISI 316L, pickle passivated finish. All channels provided with NBR seal and connection bolts on one side. Multiple grate options available.

ACO recommends checking local plumbing codes prior to installation.



Part No.	Material	Height (H) in (mm)	Length (L) in (mm)
105119	AISI 304	1.97 (50)	19.69 (500)
105120	AISI 304	2.56 (65)	19.69 (500)
105121	AISI 304	3.15 (80)	19.69 (500)
105122	AISI 304	3.74 (95)	19.69 (500)
105123	AISI 304	4.33 (110)	19.69 (500)
105124	AISI 304	4.92 (125)	19.69 (500)
105127	AISI 304	1.97 (50)	39.37 (1000)
105128	AISI 304	2.56 (65)	39.37 (1000)
105129	AISI 304	3.15 (80)	39.37 (1000)
105130	AISI 304	3.74 (95)	39.37 (1000)
105131	AISI 304	4.33 (110)	39.37 (1000)
105132	AISI 304	4.92 (125)	39.37 (1000)
105135	AISI 304	1.97 (50)	78.74 (2000)
105136	AISI 304	2.56 (65)	78.74 (2000)
105137	AISI 304	3.15 (80)	78.74 (2000)
105138	AISI 304	3.74 (95)	78.74 (2000)
105139	AISI 304	4.33 (110)	78.74 (2000)
105140	AISI 304	4.92 (125)	78.74 (2000)
105143	AISI 304	1.97 (50)	118.11 (3000)
105144	AISI 304	2.56 (65)	118.11 (3000)
105145	AISI 304	3.15 (80)	118.11 (3000)
105146	AISI 304	3.74 (95)	118.11 (3000)
105147	AISI 304	4.33 (110)	118.11 (3000)
105148	AISI 304	4.92 (125)	118.11 (3000)

Part No.	Material	Height (H) in (mm)	Length (L) in (mm)
407211	AISI 316L	1.97 (50)	19.69 (500)
407212	AISI 316L	2.56 (65)	19.69 (500)
407213	AISI 316L	3.15 (80)	19.69 (500)
407214	AISI 316L	3.74 (95)	19.69 (500)
407215	AISI 316L	4.33 (110)	19.69 (500)
407216	AISI 316L	4.92 (125)	19.69 (500)
407217	AISI 316L	1.97 (50)	39.37 (1000)
407218	AISI 316L	2.56 (65)	39.37 (1000)
407219	AISI 316L	3.15 (80)	39.37 (1000)
407220	AISI 316L	3.74 (95)	39.37 (1000)
407221	AISI 316L	4.33 (110)	39.37 (1000)
407222	AISI 316L	4.92 (125)	39.37 (1000)
407223	AISI 316L	1.97 (50)	78.74 (2000)
407224	AISI 316L	2.56 (65)	78.74 (2000)
407225	AISI 316L	3.15 (80)	78.74 (2000)
407226	AISI 316L	3.74 (95)	78.74 (2000)
407227	AISI 316L	4.33 (110)	78.74 (2000)
407228	AISI 316L	4.92 (125)	78.74 (2000)
407229	AISI 316L	1.97 (50)	118.11 (3000)
407230	AISI 316L	2.56 (65)	118.11 (3000)
407231	AISI 316L	3.15 (80)	118.11 (3000)
407232	AISI 316L	3.74 (95)	118.11 (3000)
407233	AISI 316L	4.33 (110)	118.11 (3000)
407234	AISI 316L	4.92 (125)	118.11 (3000)

ACO, Inc.

West Sales Office  
825 W. Beechcraft Street  
Casa Grande, AZ 85122  
Tel: (520) 421-9988  
Toll-Free: (888) 490-9552  
Fax: (520) 421-9899

Northeast Sales Office  
9470 Pinecone Drive  
Mentor, OH 44060  
Tel: (440) 639-7230  
Toll-Free: (800) 543-4764  
Fax: (440) 639-7235

Southeast Sales Office  
4211 Pleasant Road  
Fort Mill, SC 29708  
Toll-Free: (800) 543-4764  
Fax: (803) 802-1063

info@acousa.com  
www.acousa.com

© September 2021 ACO, Inc.

All reasonable care has been taken in compiling the information in this document. All recommendations and suggestions on the use of ACO products are made without guarantee since the conditions of use are beyond the control of the company. It is the customer's responsibility to ensure that each product is fit for its intended purpose and that the actual conditions of use are suitable. ACO, Inc. reserves the right to change products and specifications without notice.

ACO. creating the future of drainage



ACO Specification Information