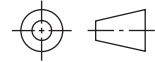
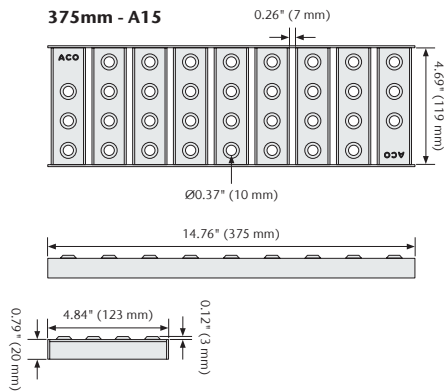


Multi-Slot Grate - MOD125



375mm - A15

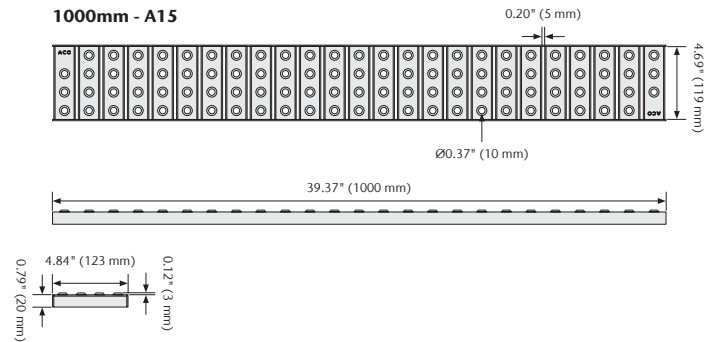


Specification Clause

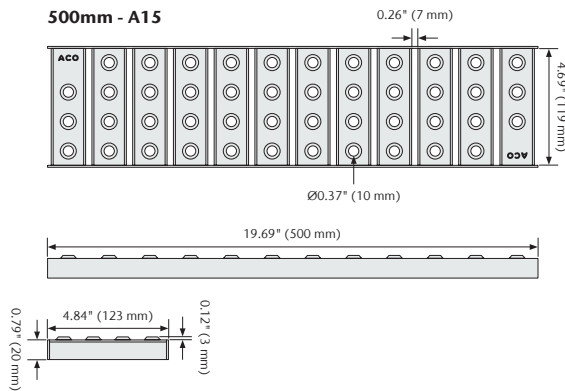
Used with ACO Modular 125 channels. Made from AISI 304 or AISI 316L. Load class per EN 1433.

ACO recommends checking local plumbing codes prior to installation.

1000mm - A15



500mm - A15



Parts

	Part No.	Grate Material	Weight lbs.	Intake sq. in.	EN1433 Load Class
Multi-Slot Grate 375mm - A15	414139	AISI 304	1.9	14.6	A15
	414189	AISI 316L	1.9	14.6	A15
Multi-Slot Grate 500mm - A15	409290	AISI 304	2.5	19.6	A15
	409291	AISI 316L	2.5	19.6	A15
Multi-Slot Grate 1000mm - A15	409286	AISI 304	5.1	33.6	A15
	409287	AISI 316L	5.1	33.6	A15

ACO, Inc.

West Sales Office  
825 W. Beechcraft Street  
Casa Grande, AZ 85122  
Tel: (520) 421-9988  
Toll-Free: (888) 490-9552  
Fax: (520) 421-9899

Northeast Sales Office  
9470 Pinecone Drive  
Mentor, OH 44060  
Tel: (440) 639-7230  
Toll-Free: (800) 543-4764  
Fax: (440) 639-7235

Southeast Sales Office  
4211 Pleasant Road  
Fort Mill, SC 29708  
Toll-Free: (800) 543-4764  
Fax: (803) 802-1063

info@acousa.com  
www.acousa.com

© August 2021 ACO, Inc.

All reasonable care has been taken in compiling the information in this document. All recommendations and suggestions on the use of ACO products are made without guarantee since the conditions of use are beyond the control of the company. It is the customer's responsibility to ensure that each product is fit for its intended purpose and that the actual conditions of use are suitable. ACO, Inc. reserves the right to change products and specifications without notice.

ACO. creating the future of drainage

