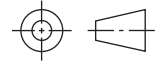
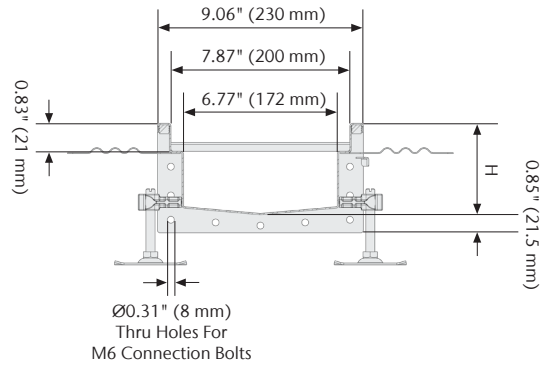


Branch & Corner Unit Channels - MOD200

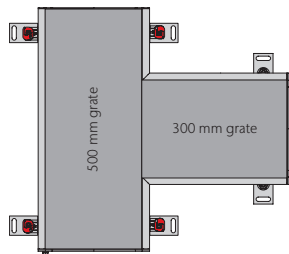
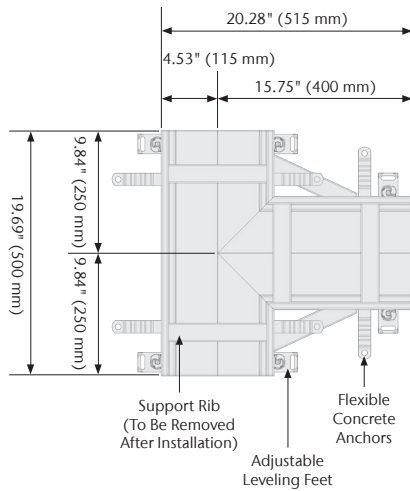


Specification Clause

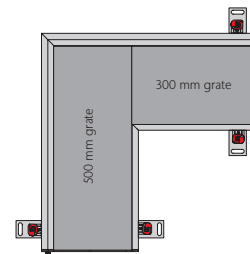
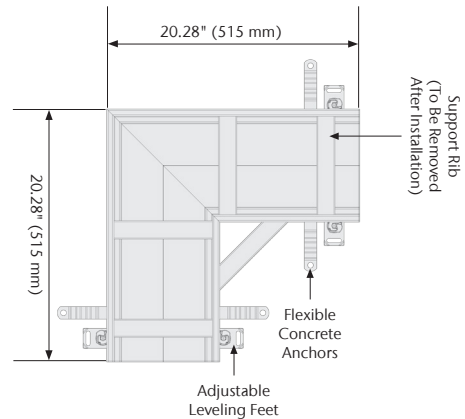
ACO Modular 200 branch and corner unit channels. Overall height varies, see tables. Channels made from 16ga (1.5mm) AISI 304 or AISI 316L, pickle passivated finish. All channels provided with NBR seal and connection bolts on one side. Multiple grate options available.

ACO recommends checking local plumbing codes prior to installation.

Branch Unit Channels



Corner Unit Channels



Parts	Part No.	Material	Height (H) in (mm)	Length (L) in (mm)	Weight lbs.
Branch Unit Channels	401933	AISI 304	2.36 (60)	20.28 (515)	13.0
	402494	AISI 304	3.15 (80)	20.28 (515)	16.1
	402496	AISI 304	3.94 (100)	20.28 (515)	17.4
	401934	AISI 316L	2.36 (60)	20.28 (515)	13.0
	402495	AISI 316L	3.15 (80)	20.28 (515)	16.1
	402497	AISI 316L	3.94 (100)	20.28 (515)	17.4

Parts	Part No.	Material	Height (H) in (mm)	Length (L) in (mm)	Weight lbs.
Corner Unit Channels	401921	AISI 304	2.36 (60)	20.28 (515)	14.6
	402490	AISI 304	3.15 (80)	20.28 (515)	16.1
	402492	AISI 304	3.94 (100)	20.28 (515)	17.4
	401922	AISI 316L	2.36 (60)	20.28 (515)	14.6
	402491	AISI 316L	3.15 (80)	20.28 (515)	16.1
	402493	AISI 316L	3.94 (100)	20.28 (515)	17.4

ACO, Inc.

West Sales Office
825 W. Beechcraft Street
Casa Grande, AZ 85122
Tel: (520) 421-9988
Toll-Free: (888) 490-9552
Fax: (520) 421-9899

Northeast Sales Office
9470 Pinecone Drive
Mentor, OH 44060
Tel: (440) 639-7230
Toll-Free: (800) 543-4764
Fax: (440) 639-7235

Southeast Sales Office
4211 Pleasant Road
Fort Mill, SC 29708
Toll-Free: (800) 543-4764
Fax: (803) 802-1063

info@acousa.com
www.acousa.com

© December 2021 ACO, Inc.
All reasonable care has been taken in compiling the information in this document. All recommendations and suggestions on the use of ACO products are made without guarantee since the conditions of use are beyond the control of the company. It is the customer's responsibility to ensure that each product is fit for its intended purpose and that the actual conditions of use are suitable. ACO, Inc. reserves the right to change products and specifications without notice.

ACO. creating the future of drainage



ACO Specification Information