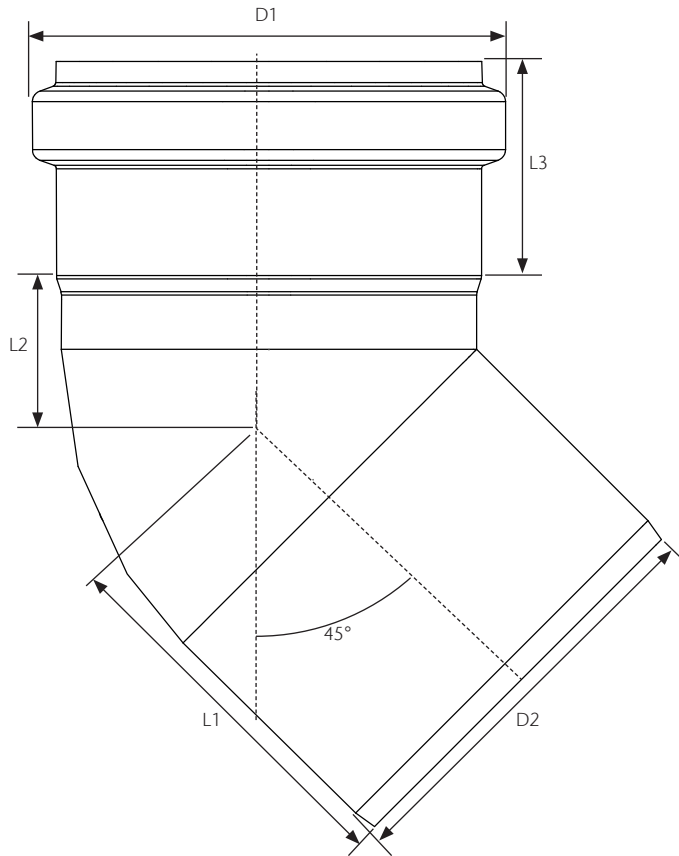
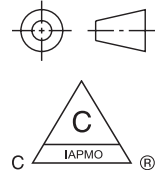


Pipe - Bend 45°



Specifications

General

Used with ACO Pipe System. Made from 14 gauge (2 mm) AISI 316L. Resistant to thermal and dynamic shocks. Rodent-proof and sag-proof. Non-combustible. Double-lipped seal push-fit connection. Designed for gravity piping system with maximum working pressure of 0.5 bar. Socket clamps, NBR and FPM gasket material also available upon request. Socket clamp can increase maximum operating pressure to 0.7 bar. ACO recommends checking local plumbing codes prior to installation.

Part No.	Length (L1) in (mm)	Length (L2) in (mm)	Length (L3) in (mm)	Diameter (D1) in (mm)	Diameter (D2) in (mm)	Gasket Material	Weight lbs
417352	2.28 (58)	0.83 (21)	1.56 (40)	2.03 (52)	1.57 (40)	EPDM	0.4
98758	2.44 (62)	0.94 (24)	1.68 (43)	2.43 (62)	1.97 (50)	EPDM	0.4
98760	2.99 (76)	1.26 (32)	2.04 (52)	3.43 (87)	2.95 (75)	EPDM	0.7
98762	3.66 (93)	1.65 (42)	2.23 (57)	4.93 (125)	4.33 (110)	EPDM	1.1
419738	4.33 (110)	1.97 (50)	2.47 (63)	5.57 (142)	4.92 (125)	EPDM	1.3
98764	5.16 (131)	2.17 (55)	2.74 (70)	7.00 (178)	6.30 (160)	EPDM	2.9
419409	5.98 (152)	2.36 (60)	3.14 (80)	8.62 (219)	7.87 (200)	EPDM	5.9
416902	7.24 (184)	0.86 (22)	3.93 (100)	13.16 (334)	12.40 (315)	EPDM	6.4
417206	7.83 (199)	3.61 (92)	3.92 (100)	13.08 (332)	12.40 (315)	EPDM	12.8

ACO, Inc.

West Sales Office
825 W. Beechcraft Street
Casa Grande, AZ 85122
Tel: (520) 421-9988
Toll-Free: (888) 490-9552
Fax: (520) 421-9899

Northeast Sales Office
9470 Pinecone Drive
Mentor, OH 44060
Tel: (440) 639-7230
Toll-Free: (800) 543-4764
Fax: (440) 639-7235

Southeast Sales Office
4211 Pleasant Road
Fort Mill, SC 29708
Toll-Free: (800) 543-4764
Fax: (803) 802-1063

info@acousa.com
www.acousa.com

© May 2021 ACO, Inc.

All reasonable care has been taken in compiling the information in this document. All recommendations and suggestions on the use of ACO products are made without guarantee since the conditions of use are beyond the control of the company. It is the customer's responsibility to ensure that each product is fit for its intended purpose and that the actual conditions of use are suitable. ACO, Inc. reserves the right to change products and specifications without notice.

ACO. creating
the future of drainage

