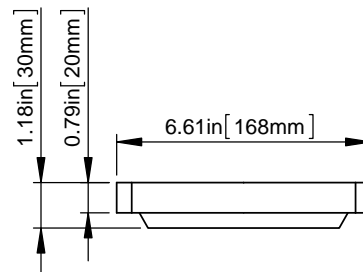
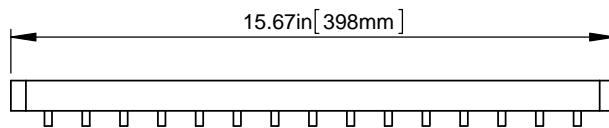
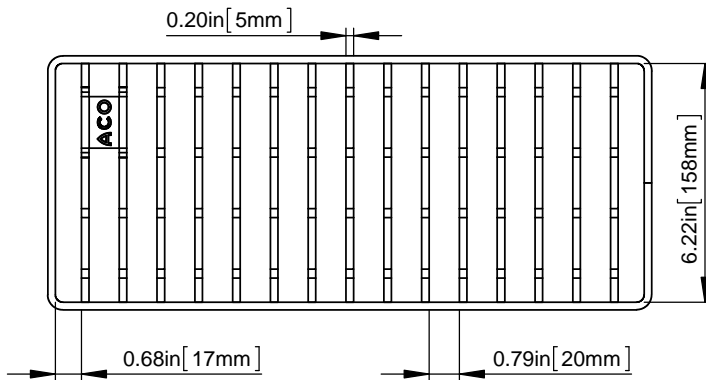




ACO Specification Information



| Part no. | Material | Weight lbs. | Intake sq in. | EN1253 Load Class |
|----------|-----------|-------------|---------------|-------------------|
| 416810 | AISI 304 | 7.8 | 76.0 | M125 |
| 416811 | AISI 316L | 7.8 | 76.0 | M125 |

Specification Clause

Used with ACO Floor Troughs. Made from AISI 304 or AISI 316L. Load class per EN1253. Certified to NSF/ANSI/3-A Standard 14159-1.

ACO recommends checking local plumbing codes prior to installation.

ACO Polymer Products, Inc.

Northeast Sales Office
 9470 Pinecone Dr.
 Mentor, OH 44060
 Tel: (440) 639-7230
 Toll Free: (800) 543-4764
 Fax: (440) 639-7235

West Sales Office
 825 W Beechcraft St.
 Casa Grande, AZ 85122
 Tel: (520) 421-9988
 Toll Free: (866) 809-4506
 Fax: (520) 421-9899

Southeast Sales Office
 4211 Pleasant Road
 Fort Mill, SC 29708
 Tel: (800) 543-4764
 Toll Free: (800) 543-4764
 Fax: (803) 802-1063

Follow us on



Electronic Contact:
 info@acousa.com
 www.acobuildingdrainage.us

