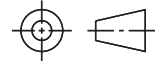
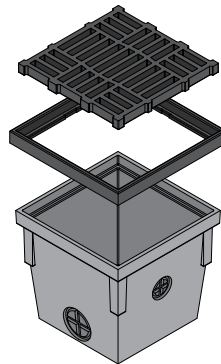
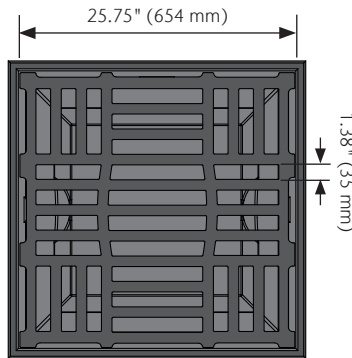


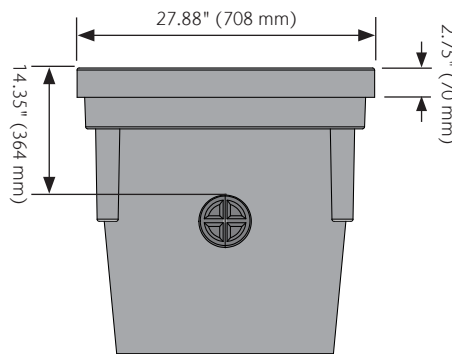
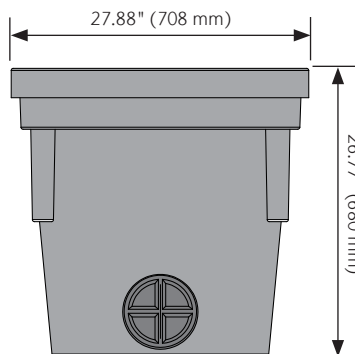
Sump Box - 2'x2'x2' w/ Gray Iron Frame & Slotted Grate



Top



Side



Specifications

General

The sump box shall be ACO Drain as manufactured by ACO, Inc. or similar approved.

Materials

Products shall be manufactured from polymer concrete and have minimum properties as follows:

- Compressive strength: 13,053 psi
- Flexural strength: 3,191 psi
- Water absorption rate: <0.1% by weight
- Overall width: 27.88" (708 mm)
- Overall length: 27.88" (708 mm)
- Overall depth: 26.77" (680 mm)
- Invert depth: 25.98" (660 mm)

Pre-cast units shall be manufactured with drill-outs for channel and pipe connections and have a wall thickness of at least 0.75" (19 mm).

Grates

Frame and grate material is slotted gray iron. After grate removal there shall be uninterrupted access to the sump box to aid maintenance.

Installation

The sump box and grates shall be installed in accordance with the manufacturer's installation instructions and recommendations.

Product Features

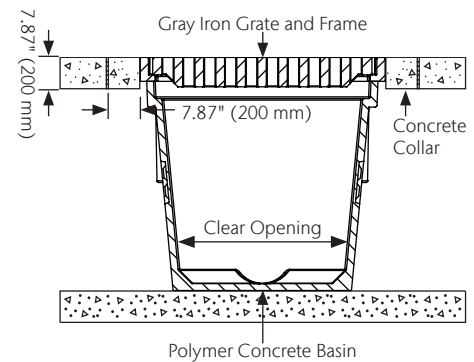
- Grate provides 48% open area (318 in²).

*AASHTO M306 requires that castings bear a minimum of 40,000 lbs on a 9" x 9" area. This represents a 2.5 safety factor over the 16,000 lb requirement of H20 and HS20. This load designation is appropriate for general traffic applications. Loading criteria is 40,000–100,000 lbs.

Parts

	Part No.	Invert Depth in (mm)	Volume gal	Weight lbs
2'x2'x2' Sump Box	05719	25.98 (660)	45.1	168.0
Gray Iron Frame & Slotted Grate	05720	-	-	265.0

Heavy Duty Application



ACO, Inc.

West Sales Office
825 W. Beechcraft Street
Casa Grande, AZ 85122
Tel: (520) 421-9988
Toll-Free: (888) 490-9552
Fax: (520) 421-9899

Northeast Sales Office
9470 Pinecone Drive
Mentor, OH 44060
Tel: (440) 639-7230
Toll-Free: (800) 543-4764
Fax: (440) 639-7235

Southeast Sales Office
4211 Pleasant Road
Fort Mill, SC 29708
Toll-Free: (800) 543-4764
Fax: (803) 802-1063

info@acousa.com
www.acousa.com

© February 2022 ACO, Inc.

All reasonable care has been taken in compiling the information in this document. All recommendations and suggestions on the use of ACO products are made without guarantee since the conditions of use are beyond the control of the company. It is the customer's responsibility to ensure that each product is fit for its intended purpose and that the actual conditions of use are suitable. ACO, Inc. reserves the right to change products and specifications without notice.

ACO. creating
the future of drainage

