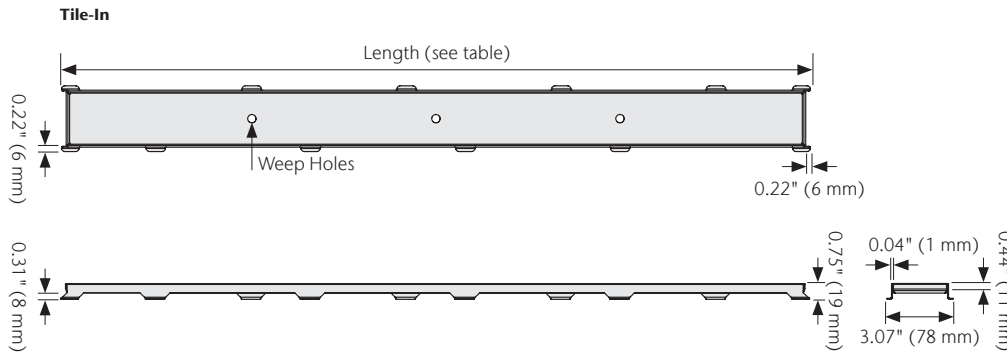


ShowerDrain Premium ShowerChannel Grate - Tile-In



Specification Clause

The ACO ShowerDrain Tile-In grate shall be 1 mm (20 gauge) stainless steel grade 304 manufactured by ACO, Inc. USA.

Grates shall be 3.07" (78 mm) wide with length as specified on Architect's plans/specification.

Shower channel shall be Plain Edge OR Flange Edge. See separate Spec Info Sheet for details.

ACO recommends checking local plumbing codes prior to installation.

The system shall be installed in accordance with the manufacturer's instructions and recommendations.

Classic Finish	Length in (mm)	Part No.	Intake in ² (cm ²)	Weight lbs
Brushed Stainless	27.55 (700)	37335	13.66 (88.2)	1.7
	31.50 (800)	37338	15.57 (100.5)	2.0
	35.43 (900)	37336	17.48 (112.8)	2.2
	39.37 (1000)	37334	19.39 (125.1)	2.5
	47.25 (1200)	37332	23.20 (149.7)	2.9
	55.12 (1400)	37419	27.01 (174.3)	3.3
59.05 (1500)	37394	26.59 (171.6)	3.6	
Matte Black	27.55 (700)	37597	13.66 (88.2)	1.7
	31.50 (800)	37598	15.57 (100.5)	2.0
	35.43 (900)	37599	17.48 (112.8)	2.2
	39.37 (1000)	37600	19.39 (125.1)	2.5
	47.25 (1200)	37601	23.20 (149.7)	2.9
	55.12 (1400)	37602	27.01 (174.3)	3.3
59.05 (1500)	37603	26.59 (171.6)	3.6	

Luxury Finish	Length in (mm)	Part No.	Intake in ² (cm ²)	Weight lbs
Oil-Rubbed Bronze	27.55 (700)	37327	13.66 (88.2)	1.7
	31.50 (800)	37661	15.57 (100.5)	2.0
	35.43 (900)	37331	17.48 (112.8)	2.2
	39.37 (1000)	37662	19.39 (125.1)	2.5
	47.25 (1200)	37310	23.20 (149.7)	2.9
	55.12 (1400)	37663	27.01 (174.3)	3.3
59.05 (1500)	37664	26.59 (171.6)	3.6	
Satin Brass	27.55 (700)	37725	13.66 (88.2)	1.7
	31.50 (800)	37726	15.57 (100.5)	2.0
	35.43 (900)	37727	17.48 (112.8)	2.2
	39.37 (1000)	37728	19.39 (125.1)	2.5
	47.25 (1200)	37729	23.20 (149.7)	2.9
	55.12 (1400)	37730	27.01 (174.3)	3.3
59.05 (1500)	37731	26.59 (171.6)	3.6	
Rose Gold	27.55 (700)	37797	13.66 (88.2)	1.7
	31.50 (800)	37798	15.57 (100.5)	2.0
	35.43 (900)	37799	17.48 (112.8)	2.2
	39.37 (1000)	37800	19.39 (125.1)	2.5
	47.25 (1200)	37801	23.20 (149.7)	2.9
	55.12 (1400)	37802	27.01 (174.3)	3.3
59.05 (1500)	37803	26.59 (171.6)	3.6	
Black Nickel	27.55 (700)	37867	13.66 (88.2)	1.7
	31.50 (800)	37868	15.57 (100.5)	2.0
	35.43 (900)	37869	17.48 (112.8)	2.2
	39.37 (1000)	37870	19.39 (125.1)	2.5
	47.25 (1200)	37871	23.20 (149.7)	2.9
	55.12 (1400)	37872	27.01 (174.3)	3.3
59.05 (1500)	37873	26.59 (171.6)	3.6	

Grate Lifting Key (part no. 37339) included.

ACO, Inc.

West Sales Office
825 W. Beechcraft Street
Casa Grande, AZ 85122
Tel: (520) 421-9988
Toll-Free: (888) 490-9552
Fax: (520) 421-9899

Northeast Sales Office
9470 Pinecone Drive
Mentor, OH 44060
Tel: (440) 639-7230
Toll-Free: (800) 543-4764
Fax: (440) 639-7235

Southeast Sales Office
4211 Pleasant Road
Fort Mill, SC 29708
Toll-Free: (800) 543-4764
Fax: (803) 802-1063

info@acousa.com
www.acousa.com

© December 2021 ACO, Inc.

All reasonable care has been taken in compiling the information in this document. All recommendations and suggestions on the use of ACO products are made without guarantee since the conditions of use are beyond the control of the company. It is the customer's responsibility to ensure that each product is fit for its intended purpose and that the actual conditions of use are suitable. ACO, Inc. reserves the right to change products and specifications without notice.

ACO. creating the future of drainage



ACO Specification Information