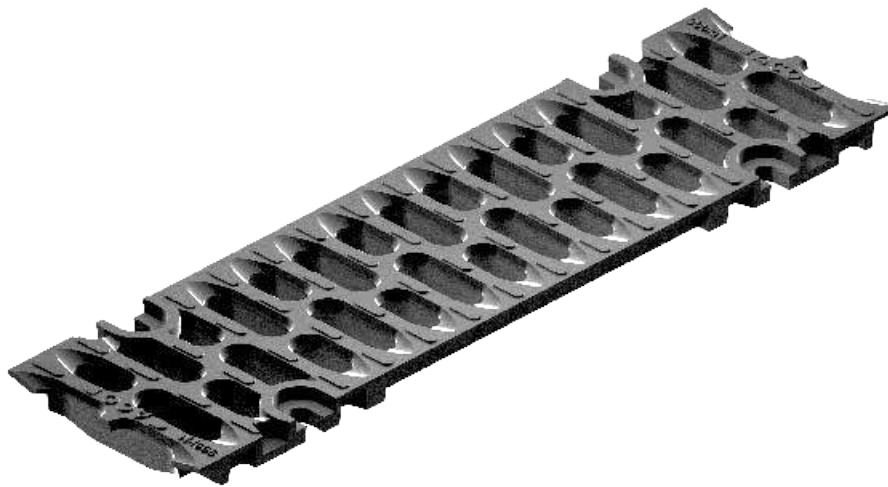




### Product Features

- Certified to EN 1433 Load Class F - 200,000 lbs - 4,177 psi
- Uses '4-bolt' boltless locking system
- Suitable for use with S100K and H100SK-10 channels
- Manufactured from ductile iron to ASTM A 536-84 - Grade 65-45-12
- Bicycle Tire Penetration Resistant to AS 3996 - 2006



### Specifications

#### General

The surface drainage system shall be ACO PowerDrain or SlabDrain, complete with ACO 4 Bolt iron grate with '4-bolt' locking as manufactured by ACO, Inc. or similar approved.

#### Materials

The covers shall be manufactured from ductile iron and have **minimum** properties as follows:

- **Independently certified to meet Load Class F to EN 1433 - 200,000 lbs - 4,177psi**
- **Ductile iron to ASTM A 536-84 - Grade 65-45-12**
- **Intake area of 36 sq. in. (232.25 cm<sup>2</sup>) per half meter of grate**

The overall width of 4.85" (123mm) and overall length of 19.69" (500mm). Slots measure at 0.71"(18.03mm) by 1.81" (45.97mm).

#### Installation

The trench drain system and grates shall be installed in accordance with the manufacturer's installation instructions and recommendations.

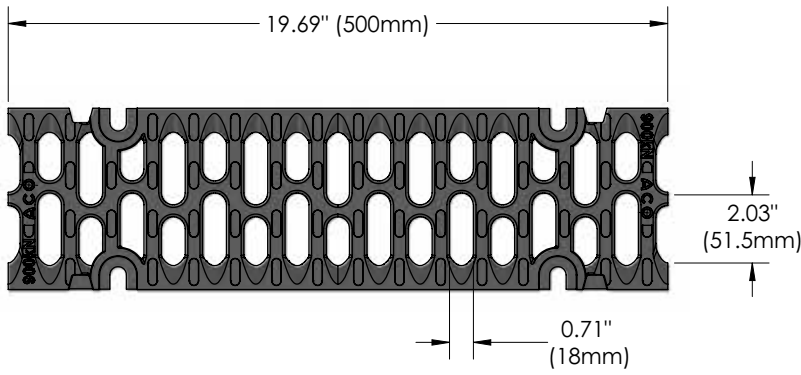
\* delete as appropriate

**ACO DRAIN**

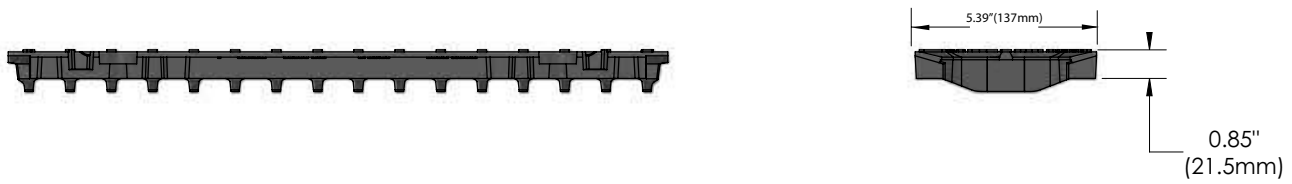
**S100K 4-Bolt ductile iron grate**



**Plan view**



**Side elevation**



Description	Part No.	Length inches (mm)	Width inches (mm)	Weight lbs.
<b>4-bolt grate</b> Type 4-bolt ductile iron grate	<b>99590</b>	19.69 (500)	4.85 (123.1)	10.8

**'4-Bolt' locking mechanism**



ACO offers a 4-bolt locking solution for applications requiring more security. The four threaded stainless steel inserts in the PowerDrain channel body allow a 4-bolt grate to be bolted into the channel for ultimate stiffness and security. Tamper resistant bolts can also be used.

**ACO, Inc.**  
**Northeast Sales Office**  
 9470 Pinecone Drive  
 Mentor, OH 44060  
 Tel: (440) 639-7230  
 Toll free: (800) 543-4764  
 Fax: (440) 639-7235

**West Sales Office**  
 825 W. Beechcraft St.  
 Casa Grande, AZ 85122  
 Tel: (520) 421-9988  
 Toll Free: (888) 490-9552  
 Fax: (520) 421-9899

**Southeast Sales Office**  
 4211 Pleasant Road  
 Fort Mill, SC 29708  
 Toll free: (800) 543-4764  
 Fax: (803) 802-1063



**Electronic Contact:**  
 info@ACODrain.us  
 www.ACODrain.us



© April 2018, ACO, Inc. This information is believed to be accurate but it is not guaranteed to be so. We cannot assume liability for results that buyer obtains with our product since conditions of use are beyond the control of the company. It is the customer's responsibility to evaluate suitability and safety of product for his own use. ACO, Inc. reserves the right to change the product and specifications without notice.