



ACO Specification Information

### Specifications

#### General

The surface drainage system shall be ACO Drain Brickslot, as manufactured by ACO, Inc. or equal approved.

#### Materials

The Brickslot top is manufactured from 11 gauge galvanized steel.

The nominal clear opening for Brickslot is ½" (12 mm) with overall width of 4.84" (123 mm). An offset slot helps prevent debris from being trapped. For use with K100, MembraneDrain, SlabDrain (H100-10, H100-8, H100K-8), and the K100 Series 900 catch basin. See separate ACO Spec info sheet for channel details. Brickslot rests in the grate seating of the channel, the anti-shunt lugs help prevent lateral movement and the weight of covering material keeps the unit secured. Access units have frames that fit catch basins with a separate unit that can be removed for maintenance.

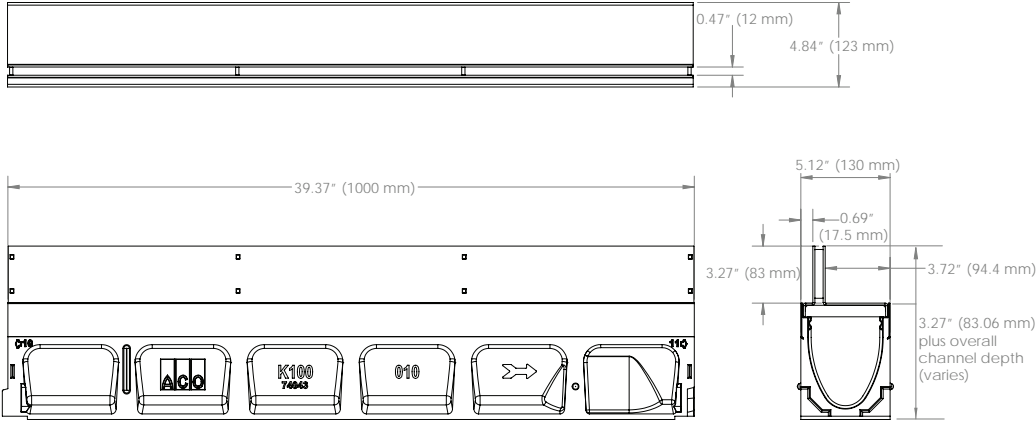
#### Installation

The trench drain system shall be installed in accordance with the manufacturer's installation instructions and recommendations.

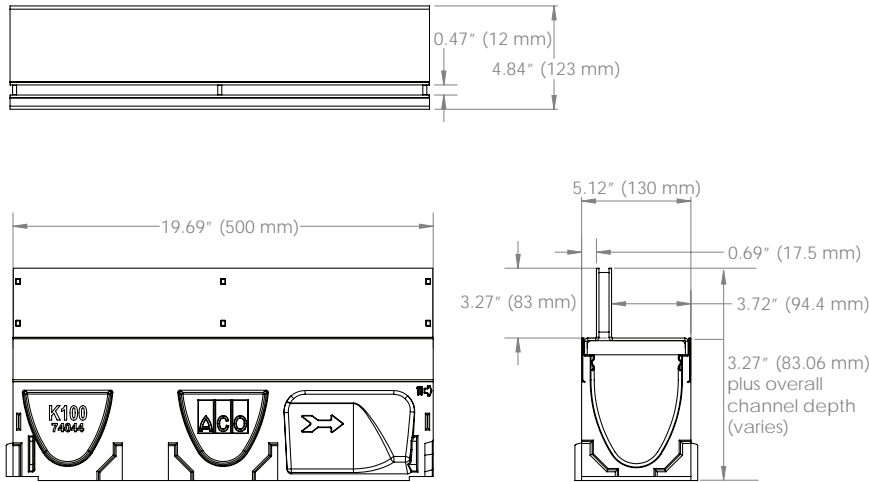
# ACO DRAIN

## Type 441/442 Galvanized Brickslot 100

One meter unit



Half meter unit



Description	Part No.	Overall Depth in.	Overall Depth mm	Weight lbs.
Type 441/442 - Brickslot 100 - 39.37" (1m) Galvanized Steel	<b>138040</b>	4.06	103	17.6
Type 441/442 - Brickslot 100 - 19.69" (0.5m) Galvanized Steel	<b>138041</b>	4.06	103	9.0

**Notes:**

1. For use with K100 and KS100 channels, and Series 900 catch basins.
2. Brickslot can also be used with SlabDrain H and HK channels.

ACO Specification Information

**ACO, Inc.**  
**Northeast Sales Office**  
 9470 Pinecone Drive  
 Mentor, OH 44060  
 Tel: (440) 639-7230  
 Toll free: (800) 543-4764  
 Fax: (440) 639-7235

**West Sales Office**  
 825 W. Beechcraft St.  
 Casa Grande, AZ 85122  
 Tel: (520) 421-9988  
 Toll Free: (888) 490-9552  
 Fax: (520) 421-9899

**Southeast Sales Office**  
 4211 Pleasant Road  
 Fort Mill, SC 29708  
 Toll free: (800) 543-4764  
 Fax: (803) 802-1063



**Electronic Contact:**  
 info@ACODrain.us  
 www.ACODrain.us



© April 2018 ACO, Inc. This information is believed to be accurate but it is not guaranteed to be so. We cannot assume liability for results that buyer obtains with our product since conditions of use are beyond the control of the company. It is the customer's responsibility to evaluate suitability and safety of product for his own use. ACO, Inc. reserves the right to change the product and specifications without notice.