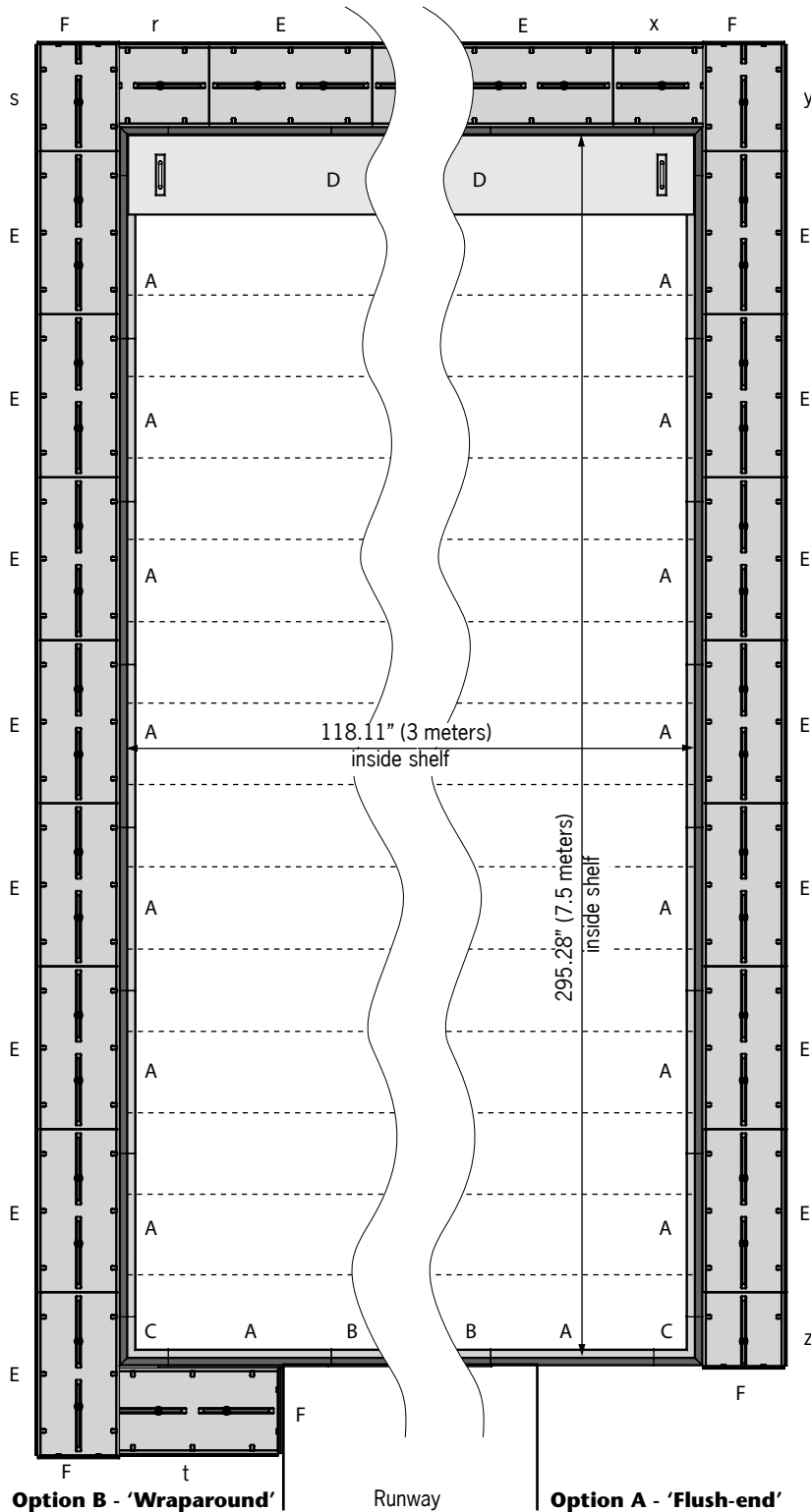


**System 7000**

**7320 Modular jump pit system - college (NCAA)**



**Option A - Flush-end**

Consists of:

- 18 one-meter curbs (A)
- 2 half-meter curbs (B)
- 4 corner curbs (C)
- 15 aluminum covers (D)
- 16 one-meter sand traps with cover (E)
- 2 sand traps with mats cut to 550mm (x)
- 2 sand traps with mats cut to 652mm (y)
- 2 sand traps with mats cut to 450mm (z)
- 4 sand trap end caps (F)

**Option B - Wraparound**

Consists of:

- 18 one-meter curbs (A)
- 2 half-meter curbs (B)
- 4 corner curbs (C)
- 15 aluminum covers (D)
- 18 one-meter sand traps with cover (E)
- 2 sand traps with mats cut to 550mm (r)
- 2 sand traps with mats cut to 604mm (s)
- 2 sand traps with mats cut to 785mm (t) - or length to suit runway width
- 6 sand trap end caps (F)

**Option C - Curb & Cover only**

Consists of:

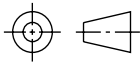
- 18 one-meter curbs (A)
- 2 half-meter curbs (B)
- 4 corner curbs (C)
- 15 aluminum covers (D)

ACO Specification Information

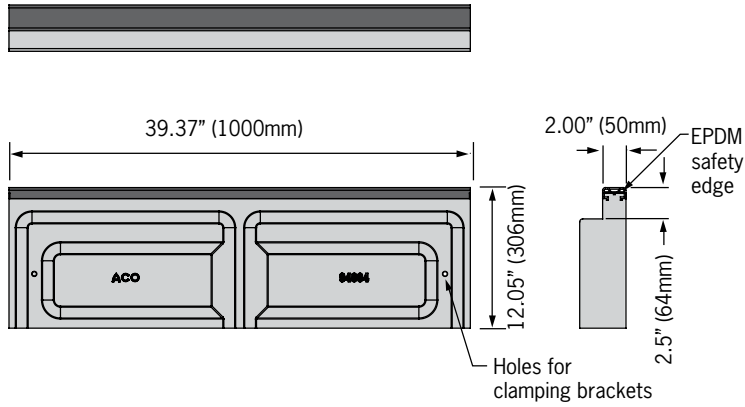


**ACO SPORT**

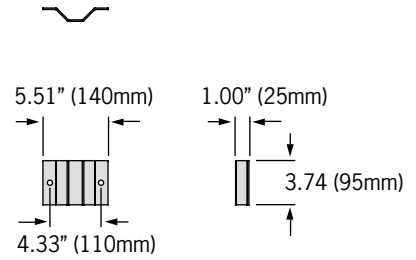
**7320 Modular jump pit system - college (NCAA)**



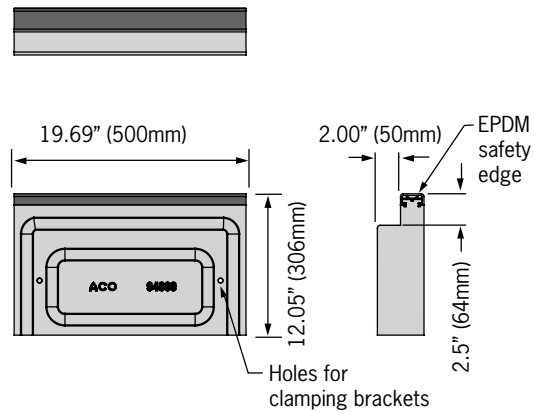
**One meter curb section - A**



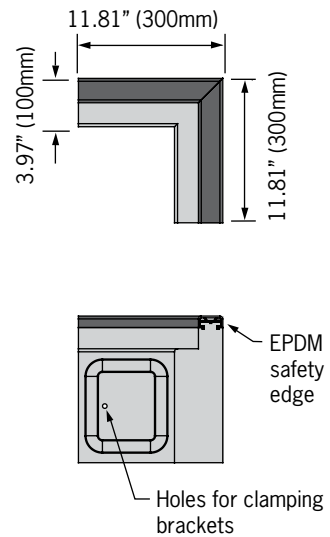
**Clamping bracket**



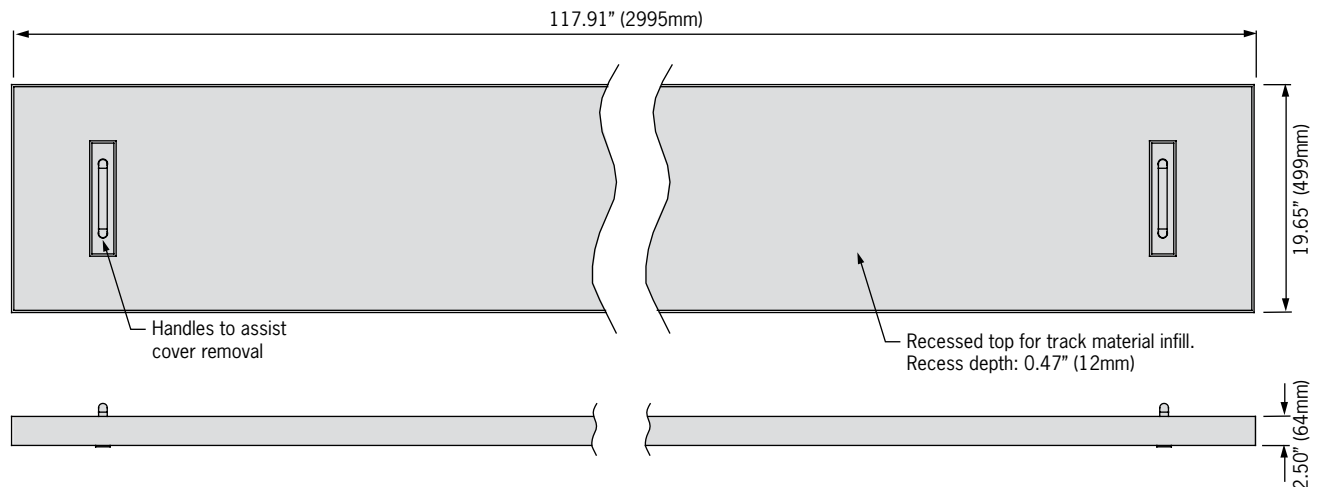
**Half meter section - B**



**Corner section - C**

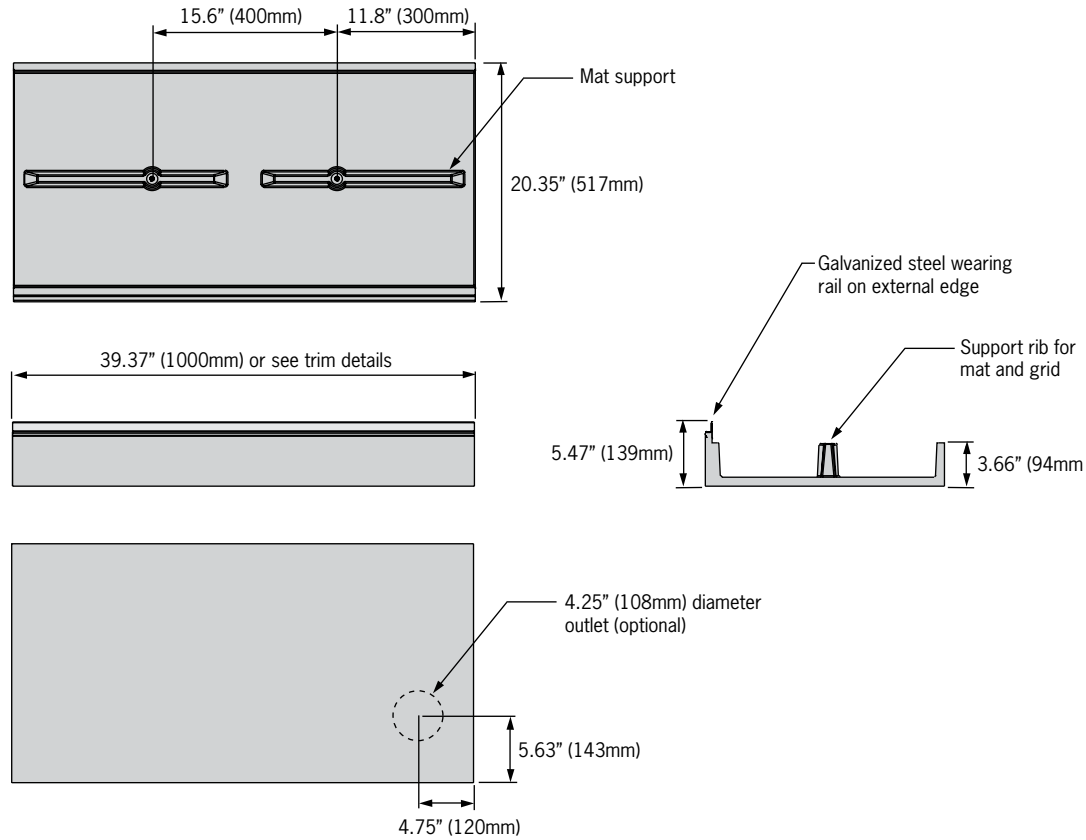


**Aluminum Covers - D**

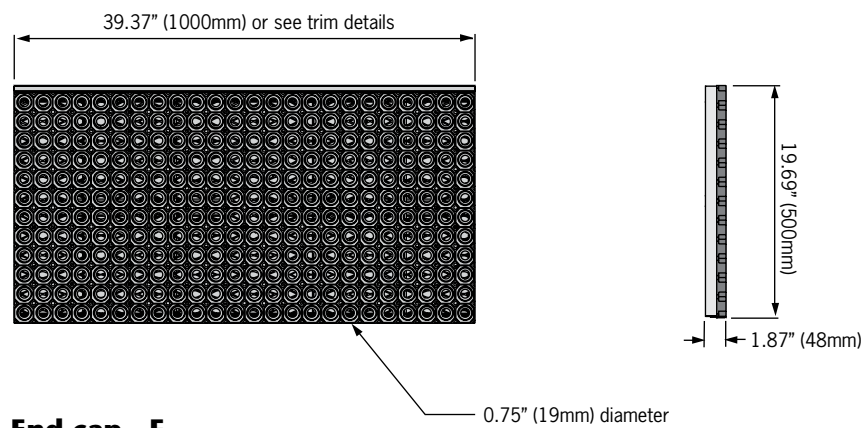


### Sand Trap Parts (Optional)

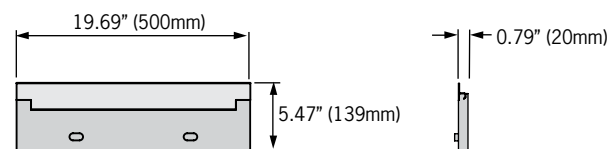
#### Sand trap base - E



#### Rubber mat with steel mesh support



#### End cap - F



**7320 Modular jump pit system - college (NCAA)**

ACO Specification Information

Description	Part No.	Weight lbs.
<b>College (NCAA) Jump Pits</b>		
<b>Option A - Flushend</b>		
Jump Pit System (curbs, sand traps & covers) Flushend - Black	<b>91032</b>	4,433.0
Jump Pit System (curbs, sand traps & covers) Flushend - White	<b>91031</b>	4,433.0
<b>Option B - Wraparound</b>		
Jump Pit System (curbs, sand traps & covers) Wraparound - Black	<b>91045</b>	4,791.0
Jump Pit System (curbs, sand traps & covers) Wraparound - White	<b>91048</b>	4,791.0
<b>Option C - Curb &amp; Cover</b>		
Jump Pit System (curbs, & covers) - Black	<b>91027</b>	2,475.0
Jump Pit System (curbs, & covers) - White	<b>91016</b>	2,475.0
<b>Accessories</b>		
Jump Pit System Assembly Kit	<b>91046</b>	48.5

<p><b>Part I - General</b></p> <p>1.1 <b>Related Work</b> - Work specified in other sections includes but is not limited to: Excavation and backfill, cast-in-place concrete, and mechanical equipment.</p> <p>1.2 <b>System Description</b> - Modular jump pit system pre-cast from corrosion resistant polyester polymer concrete for on-site installation.</p> <p>1.3 <b>Submittals</b> - Manufacturer will submit, when required, shop drawings showing schematic plan of jump pit system listing all parts being provided suitable for installation. Copies of the manufacturer's recommended method of installation, assembly, and anchorage shall be submitted for review.</p> <p>1.4 <b>Project History</b> - Manufacturer shall submit a list of projects installed during the past twenty years, if required.</p> <p>1.5 <b>Warranty</b> - ACO provides a limited warranty of one year based on installation according to manufacturer's installation instruction data.</p>	<p><b>Part II - Product</b></p> <p>2.1 <b>Products</b> - Manufacturer shall be ACO, Inc.</p> <p>2.2 <b>Mechanical Characteristics</b></p> <ul style="list-style-type: none"> <li>Compressive strength - 14,000 psi</li> <li>Flexural strength - 4,000 psi</li> <li>Water absorption rate - &lt;0.1% by weight.</li> </ul> <p>2.3 <b>Physical Characteristics</b></p> <p><b>Sand Trap</b></p> <ul style="list-style-type: none"> <li>Overall width - 20.35 inches (517mm)</li> <li>Unit depth - 5.47 inches (139mm)</li> <li>Unit length - 39.37 inches (1000mm) or trimmed to length as detailed</li> <li>Integral galvanized steel edge rail along outside edge</li> <li>Supplied with galvanized steel mesh support grid and cellular rubber mat</li> </ul> <p><b>Elastic Curbs</b></p> <ul style="list-style-type: none"> <li>Overall width - 3.97 inches (100mm)</li> <li>Unit depth - 12.05 inches (306mm)</li> <li>Unit length - 39.37 inches (1000mm); 19.69" (500mm)</li> <li>Corner unit - 11.81 inches (300mm) long creating 90 degree angle</li> <li>Integrally cast EPDM rubber safety edge</li> </ul> <p><b>Aluminum Covers</b></p> <ul style="list-style-type: none"> <li>Overall width - 19.65 inches (499mm)</li> <li>Unit depth - 2.50 inches (64mm)</li> <li>Unit length - 117.91 inches (2995mm)</li> </ul>	<p>3.1 <b>Site Preparation</b> - Excavate area for jump pit; wide enough and deep enough to accommodate the curbs and sand traps, if used, and a minimum of 4 inches (100mm) concrete encasement. Units require a minimum of 4 inches (100mm) of concrete support on both sides as well as beneath units. A string line or laser should be used to set units at the required level.</p> <p>3.2 <b>Installation</b> -</p> <p><b>Curb sections</b> are installed end to end. Curbs are supplied with one hole in each end of unit. Set curb units on concrete base so that they are level and square with each other. Place installation bracket up against part, lining up screw holes. Place two screws through bracket and partially thread nuts onto screws on opposite side. Use ratchet or wrench to tighten down snug. <b>DO NOT</b> over tighten as curb unit could be damaged. Continue process until all curbs are fastened together ensuring the curbs are all level and square with each other. Cover EPDM safety edge with tape or plastic to protect surface during concrete pour. Pour concrete or backfill according to architects plans.</p> <p><b>Sand trap</b> sections are installed end to end. Each section shall be placed on brick, rebar basket, low slump concrete grout slurry to obtain correct finished elevation. Cover top of the sand trap with plastic, or plywood to protect surface during concrete pour.</p> <p><b>Aluminum covers</b> sit inside curb units, fill with track material to match surrounding surface.</p> <p>3.3 <b>Install in strict accordance with manufacturer's recommendations and drawings. Details available at <a href="http://www.acousa.com/install_drawings_sport.htm">www.acousa.com/install_drawings_sport.htm</a></b></p>
<p><b>Part III - Installation</b></p>		

**ACO, Inc.**  
**West Sales Office**  
 825 W Beechcraft Street  
 Casa Grande, AZ 85122  
 Tel: (520) 421-9988  
 Toll Free: (888) 490-9552  
 Fax: (520) 421-9899

**Northeast Sales Office**  
 9470 Pinecone Drive  
 Mentor, OH 44060  
 Tel: (440) 639-7230  
 Toll free: (800) 543-4764  
 Fax: (440) 639-7235

**Southeast Sales Office**  
 4211 Pleasant Road  
 Fort Mill, SC 29708  
 Toll free: (800) 543-4764  
 Fax: (803) 802-1063

Follow us on  


  
**Electronic Contact:**  
[info@ACOSport.us](mailto:info@ACOSport.us)  
[www.ACOSport.us](http://www.ACOSport.us)

