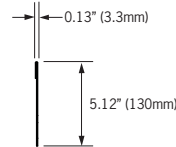
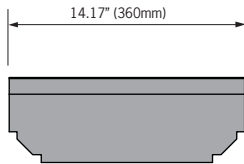
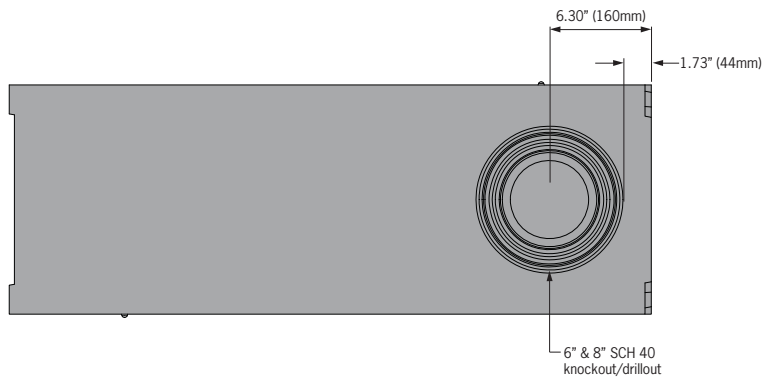
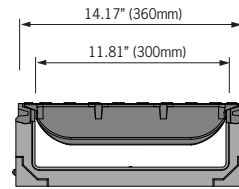
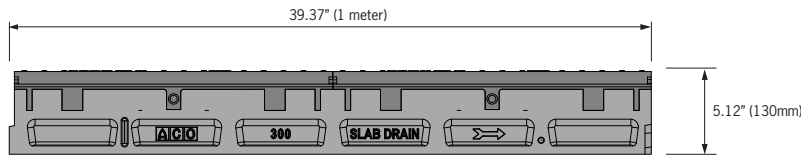
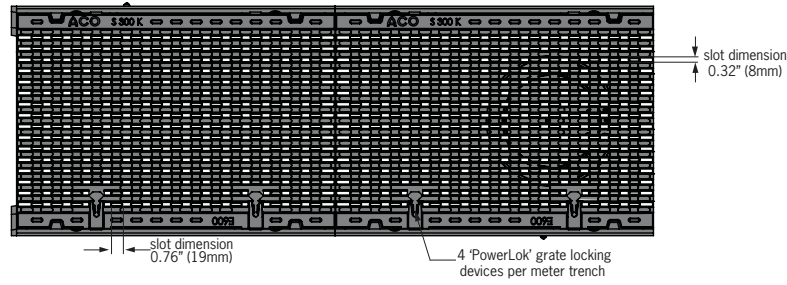


**SlabDrain - H300SK-13 iron edge channel system with longitudinal grate (ADA)**

H300SK-13



**Outlet flow rates**

Product	Outlet size (Sch. 40)	Invert Depth	GPM	CFS
H300SK-13 channel	6" round	4.00	243	0.54
H300SK-13 channel	8" round	4.00	432	0.96

Note: These are the pipe flow rates at the specified outlet, NOT channel flow rates.

*ACO Specification Information*



# ACO DRAIN

## SlabDrain - H300SK-13 iron edge channel system with longitudinal grate (ADA)



ACO Specification Information

Description	Part No.	Invert Depth		Weight lbs.
		inches	mm	
<b>H300SK-13 - Polyester polymer concrete</b> H300SK-13 Neutral channel - 39.37" (1m)	93467	4.00	100	198.4
H300SK-13 closing end cap	93470	4.00	100	1.4

**Notes:**

1. Add nominal 1.18" (30mm) to invert depth for overall channel depth
2. Preformed Sch. 40 6" & 8" dia. drill-out cast on underside of each channel
3. Use QuickLok/PowerLok grate removal tool to remove grates (Part # 01318)

### Specifications

**General**

The surface drainage system shall be ACO Drain SlabDrain H300SK-13 complete with longitudinal (ADA) gratings secured with 'PowerLok' locking as manufactured by ACO Polymer Products, Inc. or equal approved.

**Materials**

The trench system bodies shall be manufactured from polyester polymer concrete with minimum properties as follows:

- Compressive strength: 14,000 psi
- Flexural strength: 4,000 psi
- Water absorption 0.07%
- Frost proof
- Salt proof
- Dilute acid and alkali resistant

The nominal clear opening shall be 11.81" (300mm) with overall width of 14.17" (360mm). Pre-cast units shall be manufactured with neutral invert and have a wall thickness of at least 0.5" (13mm). Each unit will feature a male to female interconnecting end profile. Units shall have horizontal cast in anchoring features on the outside wall to ensure maximum mechanical bond to the surrounding bedding material and pavement surface. The ductile iron edge rail will be integrally cast in by the manufacturer to ensure maximum homogeneity between polymer concrete body and edge rail. Each edge rail shall be at least 1/4" (6mm) thick.

**Grates**

Longitudinal (ADA) ductile iron shall be independently certified to meet Load Class F to EN 1433 - 200,000 lbs or able to withstand 4,182 psi. After removal of grates there shall be uninterrupted access to the trench to aid maintenance.

**Installation**

The trench drain system shall be installed in accordance with the manufacturer's installation instructions and recommendations.

**ACO Polymer Products, Inc.**

**Northeast Sales Office**  
P.O. Box 245  
Chardon, OH 44024  
Tel: (440) 285-7000  
Toll free: (800) 543-4764  
Fax: (440) 285-7005

**West Sales Office**  
P.O. Box 12067  
Casa Grande, AZ 85130  
Tel: (520) 421-9988  
Toll Free: (888) 490-9552  
Fax: (520) 421-9899

**Southeast Sales Office**  
4211 Pleasant Road  
Fort Mill, SC 29708  
Toll free: (800) 543-4764  
Fax: (803) 802-1063



**Electronic Contact:**  
info@ACODrain.us  
www.ACODrain.us



© April 19, 2013 ACO Polymer Products, Inc. This information is believed to be accurate but it is not guaranteed to be so. We cannot assume liability for results that buyer obtains with our product since conditions of use are beyond the control of the company. It is the customer's responsibility to evaluate suitability and safety of product for his own use. ACO Polymer Products Inc. reserves the right to change the product and specifications without notice.