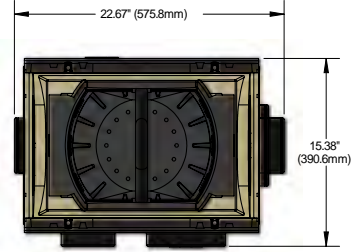
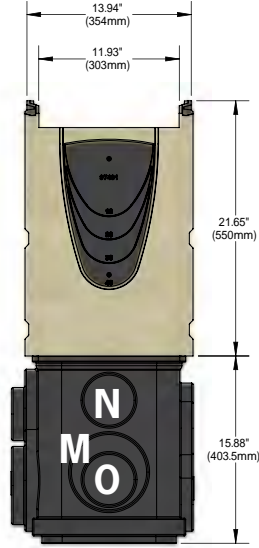
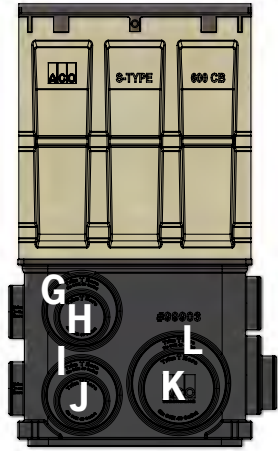




SK2-621D Catch Basin



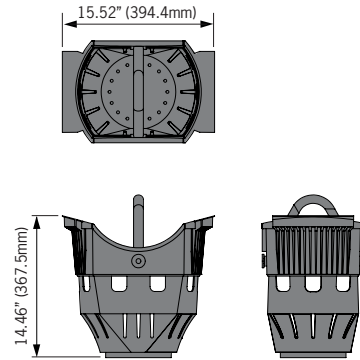
Outlet flow rates

Outlet	Product	Outlet size (Sch. 40)	Invert Depth	GPM	CFS
A	Type SK2-621D	4" round	29.80"	287	0.64
B	Type SK2-621D	4" round	36.29"	319	0.71
C	Type SK2-621D	4" round	28.22"	279	0.62
D	Type SK2-621D	6" round	36.29"	707	1.57
E	Type SK2-621D	4" round	28.37"	280	0.62
F	Type SK2-621D	4" round	34.87"	312	0.70
G	Type SK2-621D	6" round	29.15"	626	1.40
H	Type SK2-621D	4" round	28.59"	281	0.63
I	Type SK2-621D	6" round	36.28"	707	1.57
J	Type SK2-621D	4" round	35.72"	316	0.70
K	Type SK2-621D	6" round	35.72"	701	1.56
L	Type SK2-621D	8" round	36.28"	1237	2.76
M	Type SK2-621D	6" round	34.78"	690	1.54
N	Type SK2-621D	4" round	27.65"	276	0.61
O	Type SK2-621D	4" round	34.36"	310	0.69

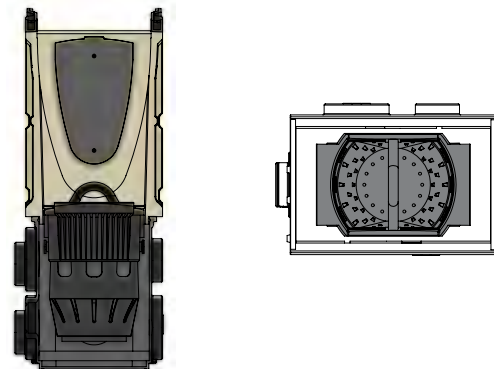
Notes:

- These are the pipe flow rates at the specified outlet, **NOT** channel flow rates.  
\*Flow rates without trash bucket - using trash bucket or filter bag reduces flow rates.
- 4" diameter foul air trap, part# 90854, can be fitted to catch basin base at outlet positions A/B and E/F.
- Fits PowerDrain S200K systems.

Trash Bucket



Note: Openings in trash bucket are 35.7"² (23,033mm²)



Note: Trash bucket position within SK2-621D catch basin body and base

ACO Specification Information



# ACO DRAIN

## SK2-621D Catch Basin



ACO Specification Information

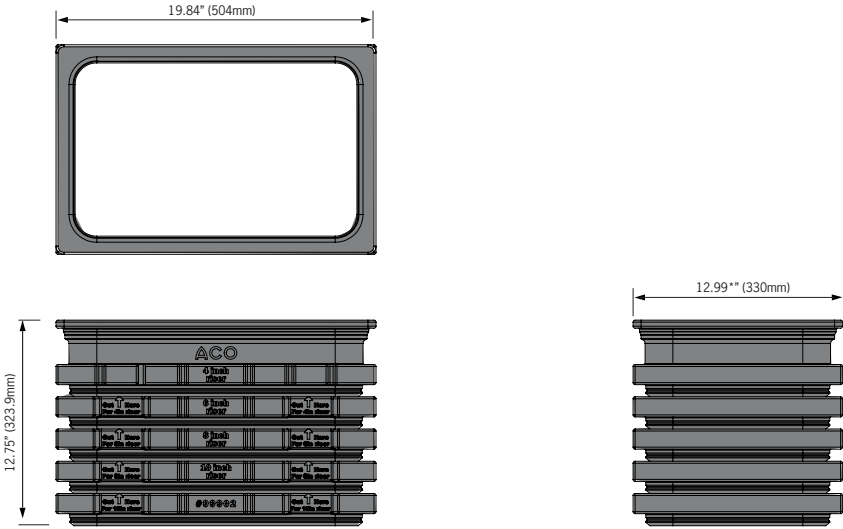
Description	Part No.	Invert Depth		Weight
		inches	mm	lbs.
Type SK2-621D Catch basin -19.69" (0.5m)	<b>68055</b>	-	-	81.8
<b>Catch Basin Components</b>				
Type 600 optional riser	<b>99902</b>	12.00	304.8	10.0
Foul air trap - fits both Type 900 & Type 600 basins	<b>90854</b>	-	-	1.2
QuickLok grate removal tool	<b>01318</b>	-	-	0.5

### Optional Grates

Choose from:

- SK2 ductile iron slotted grate 19.69" (0.5m) (Load class F) - **02449**
- SK2 ductile iron longitudinal grate 19.69" (0.5m) (Load class E) - **72263**
- SK2 ductile iron 4-bolt grate 19.69" (0.5m) (Load class F) - **99591**

### Optional riser detail (Part# 99902)



#### Notes:

1. Riser can be cut down in 1" (25mm) increments.
2. Addition of riser will alter the outflow rates of base as shown on table overleaf.

### Specifications

#### General

The catch basin shall be ACO Drain SK2-621D Catch Basin as manufactured by ACO, Inc. or similar approved.

#### Materials

The top unit body shall be manufactured from polyester polymer concrete with minimum properties as follows:

Compressive strength:	14,000 psi
Flexural strength:	4,000 psi
Water absorption	0.07%
Frost proof	YES
Salt proof	YES
Dilute acid and alkali resistant	YES

The nominal clear opening shall be 14.25" (362mm) wide by 19.69" (500mm) long. Overall width of 22.67" (575.9mm) by 37.64" (956mm) long. Type SK2-621D catch basin assembly has overall depth of 37.64" (956mm). Top units shall have horizontal cast in anchoring key features on the outside to ensure maximum mechanical bond to the surrounding bedding material and pavement surface. The base unit shall be a LLDPE plastic molding and incorporate molded plastic pipe stubbs to facilitate pipe connection.

#### Installation

The trench drain/catch basin system shall be installed in accordance with the manufacturer's installation instructions and recommendations.

#### ACO, Inc.

**Northeast Sales Office**  
9470 Pinecone Drive  
Mentor, OH 44060  
Tel: (440) 639-7230  
Toll free: (800) 543-4764  
Fax: (440) 639-7235

**West Sales Office**  
825 W. Beechcraft St.  
Casa Grande, AZ 85122  
Tel: (520) 421-9988  
Toll Free: (888) 490-9552  
Fax: (520) 421-9899

**Southeast Sales Office**  
4211 Pleasant Road  
Fort Mill, SC 29708  
Toll free: (800) 543-4764  
Fax: (803) 802-1063

#### Follow us on



#### Electronic Contact:

info@ACODrain.us  
www.ACODrain.us



© April 2018 ACO, Inc. This information is believed to be accurate but it is not guaranteed to be so. We cannot assume liability for results that buyer obtains with our product since conditions of use are beyond the control of the company. It is the customer's responsibility to evaluate suitability and safety of product for his own use. ACO, Inc. reserves the right to change the product and specifications without notice.