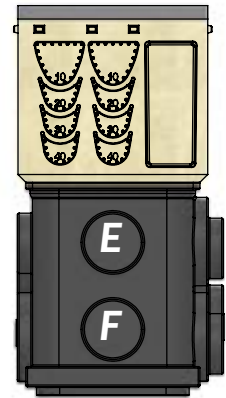
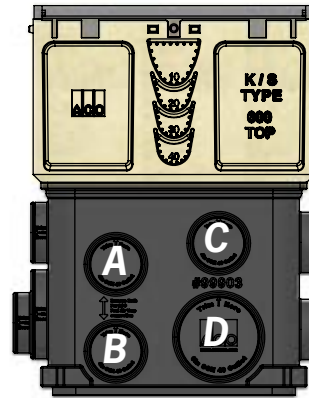
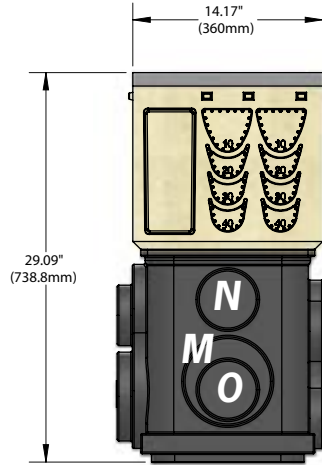
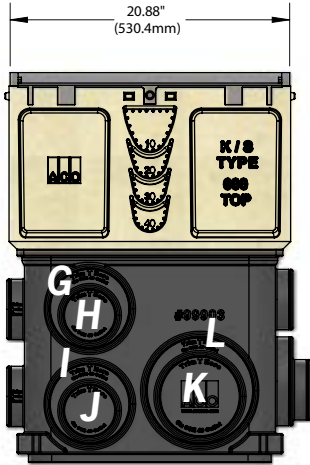
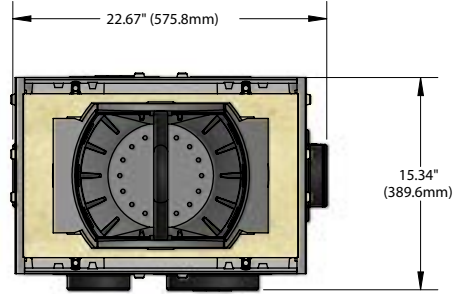
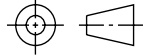


# SK1-621D Catch Basin

SK1-621D Catch Basin



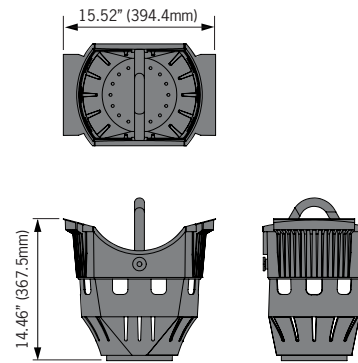
Outlet flow rates

Outlet	Product	Outlet size (Sch. 40)	Invert Depth	GPM	CFS
A	Type SK1-621D	4" round	21.29"	239	0.53
B	Type SK1-621D	4" round	27.79"	276	0.62
C	Type SK1-621D	4" round	19.72"	229	0.51
D	Type SK1-621D	6" round	27.79"	610	1.36
E	Type SK1-621D	4" round	19.84"	230	0.51
F	Type SK1-621D	4" round	26.34"	269	0.60
G	Type SK1-621D	6" round	20.62"	514	1.15
H	Type SK1-621D	4" round	20.07"	231	0.52
I	Type SK1-621D	6" round	27.76"	609	1.36
J	Type SK1-621D	4" round	27.19"	273	0.61
K	Type SK1-621D	6" round	27.19"	602	1.34
L	Type SK1-621D	8" round	27.76"	1061	2.36
M	Type SK1-621D	6" round	26.28"	591	1.32
N	Type SK1-621D	4" round	19.15"	225	0.50
O	Type SK1-621D	4" round	25.86"	266	0.59

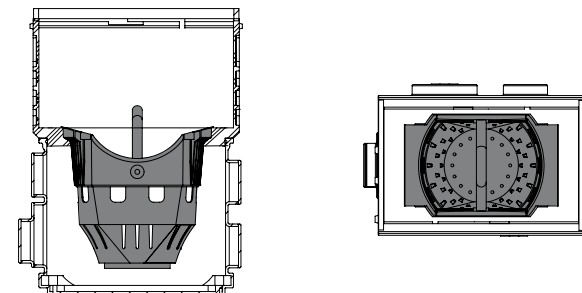
Notes:

- These are the pipe flow rates at the specified outlet.  
\*Flow rates without trash bucket - using trash bucket or filter bag reduces flow rates.
- 4" diameter foul air trap, part# 90854, can be fitted to catch basin base at outlet positions A/B and E/F

Trash Bucket



Note: Openings in trash bucket are 35.7in<sup>2</sup> (23,033mm<sup>2</sup>)



Note: Trash bucket position within SK1-621D catch basin body and base

ACO Specification Information

# ACO DRAIN

## SK1-621D Catch Basin



ACO Specification Information

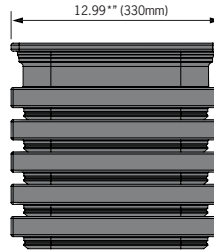
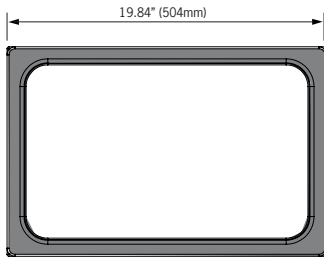
Description	Part No.	Invert Depth inches	Invert Depth mm	Weight lbs.
Type SK1-621D Catch basin - 19.69" (0.5m)	<b>67053</b>	28.86	733.2	88.7
<b>Catch Basin Components</b>				
Type 600 optional riser	<b>99902</b>	40.86	1038	10.0
Foul air trap - fits both Type 900 & Type 600 basins	<b>90854</b>	-	-	1.2

### Optional Grates

Choose from:

- SK3 ductile iron slotted grate 19.69" (0.5m)  
(Load class F) - **02445**
- SK3 ductile iron longitudinal grate 19.69" (0.5m)  
(Load class E) - **96833**
- SK3 ductile iron 4-bolt grate 19.69" (0.5m)  
(Load class F) - **99592**

### Optional riser detail (Part# 99902)



#### Notes:

1. Riser can be cut down in 1" (25mm) increments.
2. Addition of riser will alter the outflow rates of base as shown on table overleaf.

### Specifications

#### General

The catch basin shall be ACO Drain SK1-621D Catch Basin as manufactured by ACO Polymer Products, Inc. or similar approved.

#### Materials

The top unit body shall be manufactured from polyester polymer concrete with minimum properties as follows:

Compressive strength:	14,000 psi
Flexural strength:	4,000 psi
Water absorption	0.07%
Frost proof	YES

Salt proof	YES
Dilute acid and alkali resistant	YES

The nominal clear opening shall be 13.46" (342mm) wide by 19.92" (506mm) long. Overall length of 22.70" (575.8mm) by 15.38" (390.6mm) wide. Type SK1-621D catch basin assembly has overall depth of 29.11" (739.5mm). Polymer concrete top units shall incorporate a cast in ductile iron frame manufactured with drillouts for channel connection and have a wall thickness of at least 0.59" (15mm). Top units shall have horizontal cast in anchoring key features on the outside to ensure maximum mechanical bond to the surrounding bedding material and pavement surface. The base unit shall be a MDPE plastic molding and incorporate molded plastic pipe stubbs to facilitate pipe connection.

#### Optional Riser

Optional riser can be useful between polymer concrete top unit and LLDPE base unit. Use of riser is determined by access and local building codes.

#### Installation

The trench drain system shall be installed in accordance with the manufacturer's installation instructions and recommendations.

### ACO Polymer Products, Inc.

#### Northeast Sales Office

9470 Pinecone Drive  
Mentor, OH 44060  
Tel: (440) 639-7230  
Toll free: (800) 543-4764  
Fax: (440) 639-7235

#### West Sales Office

825 W. Beechcraft St.  
Casa Grande, AZ 85122  
Tel: (520) 421-9988  
Toll Free: (888) 490-9552  
Fax: (520) 421-9899

#### Southeast Sales Office

4211 Pleasant Road  
Fort Mill, SC 29708  
Toll free: (800) 543-4764  
Fax: (803) 802-1063

#### Follow us on



#### Electronic Contact:

info@ACODrain.us  
www.ACODrain.us



© January 2018 ACO Polymer Products, Inc. This information is believed to be accurate but it is not guaranteed to be so. We cannot assume liability for results that buyer obtains with our product since conditions of use are beyond the control of the company. It is the customer's responsibility to evaluate suitability and safety of product for his own use. ACO Polymer Products Inc. reserves the right to change the product and specifications without notice.