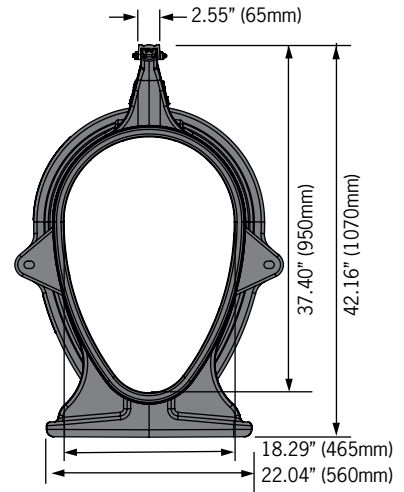
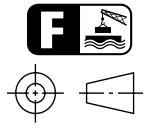
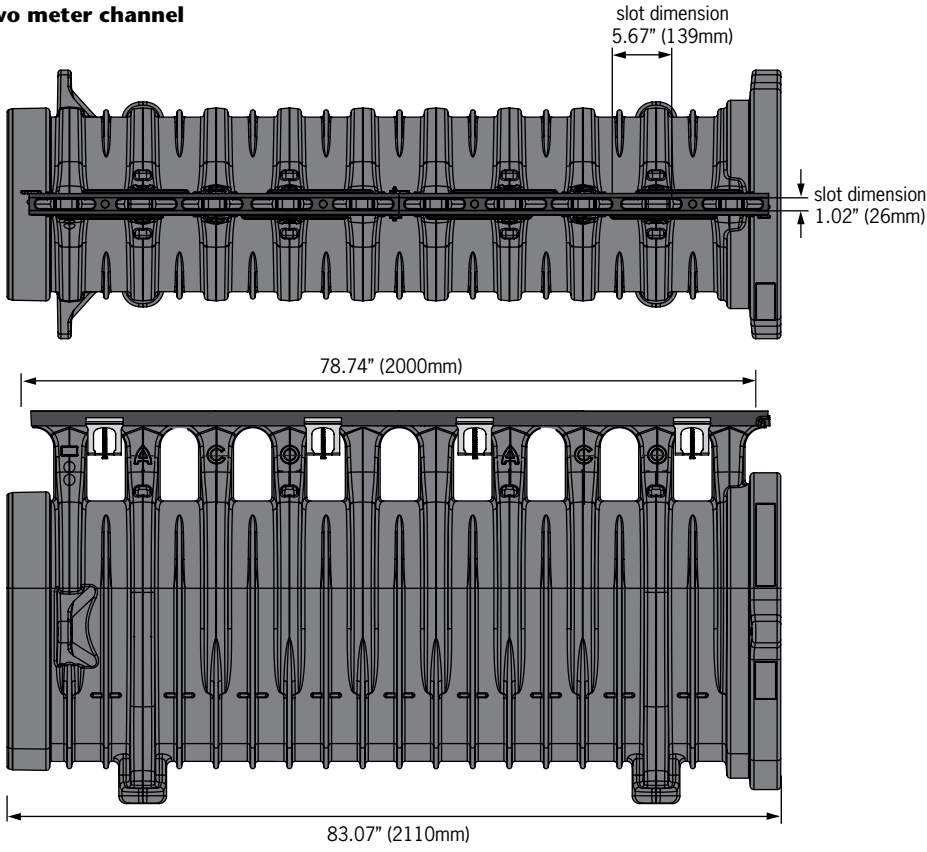
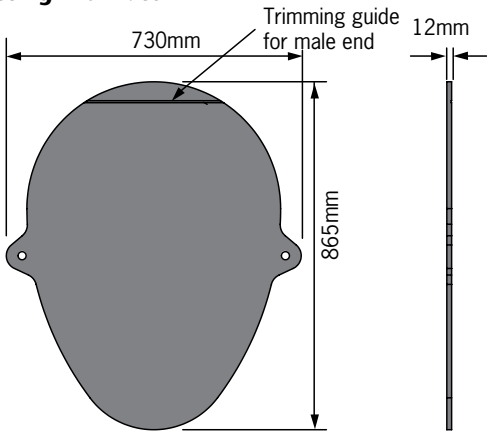


**Qmax - 465 channel with Q-Flow ductile iron rail**

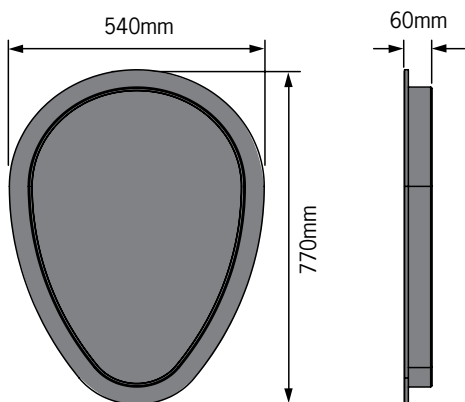
**Two meter channel**



**Closing End Plate**

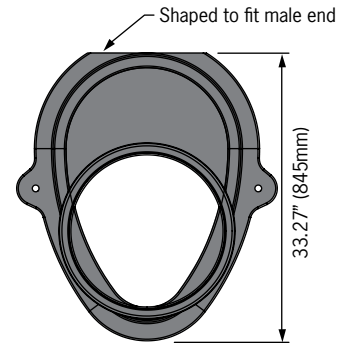
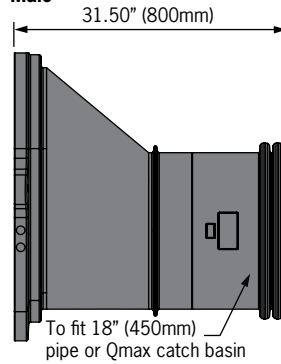


**Closing End Cap**

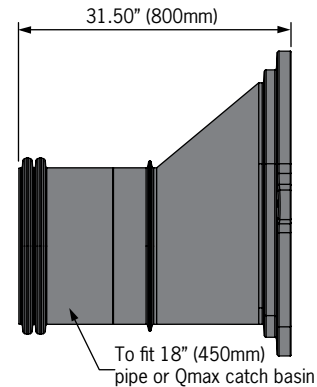
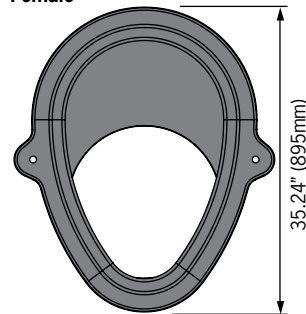


**Outlet flume/catch basin connectors**

**Male**



**Female**



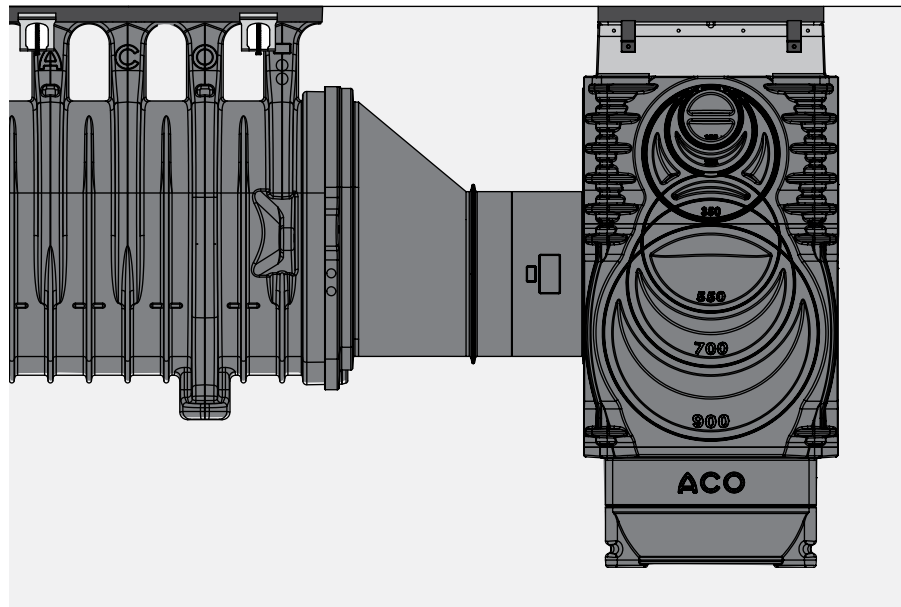
**Qmax - 465 channel with Q-Flow ductile iron rail**



ACO Specification Information

Description	Part	Invert	Wgt
	No	inches	lbs
Qmax® 465 channel with Q-Flow ductile iron rail - 78.75" (2000mm)	<b>32830</b>	37.40	109.3
<b>Accessories</b>			
Qmax® 465 Closing end plate (Fits male or female end of uncut channels)	<b>32835</b>	-	10.8
Qmax® 465 Closing end cap (Easy push fit cap for cut channel ends)	<b>32887</b>	-	6.8
Qmax® 465 to Qmax 600® System connector plate	<b>32883</b>	-	8.1
Qmax® 465 Outlet flume/catch basin connector (male)	<b>44362</b>	-	16.9
Qmax® 465 Outlet flume/catch basin connector (female)	<b>44363</b>	-	17.2

**Typical Qmax 465 connection to catch basin**

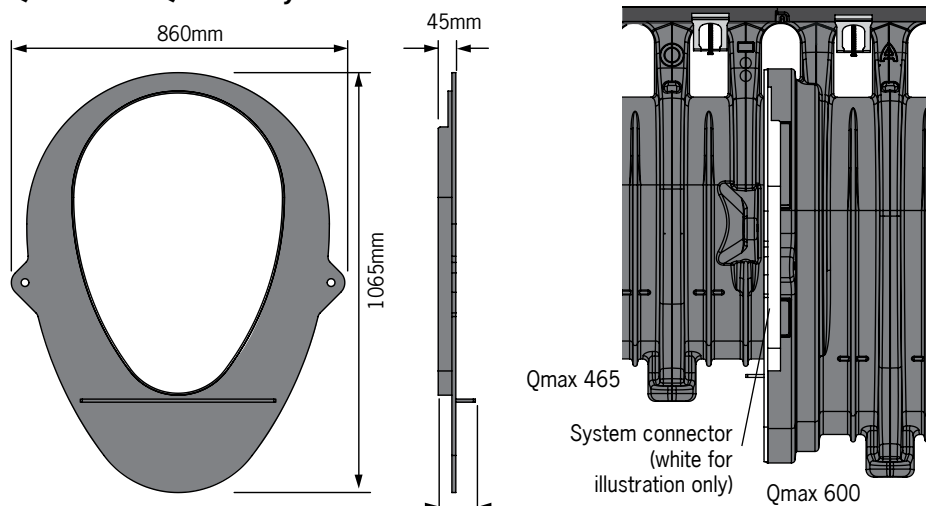


Qmax 465 channel

Outlet flume/catch basin connector (female)

Qmax Catch Basin (tall)  
-see appropriate Spec Info

**Qmax 465 to Qmax 600 system connection**



Qmax 465

System connector  
(white for illustration only)

Qmax 600

**Specifications**

**General**

The surface drainage system shall be ACO Qmax 465 with ductile iron Q-Flow top as manufactured by ACO, Inc. or equal approved.

**Materials**

The trench system bodies shall be manufactured from medium density polyethylene with:

Compressive strength: 8,450 psi  
Flexural strength: 2,224 psi  
Water absorption 0.31%

The nominal clear opening shall be 18.29" (465mm) with unit overall width of 22.04" (560mm). Units shall be manufactured with a neutral invert of 37.40" (950mm). Each unit will feature a full radius in the channel bottom and a male to female interconnecting end profile, a rubber seal shall be fitted to the bell end of the channel unit. Units shall have molded anchoring features on the outside wall to ensure maximum mechanical bond to the surrounding bedding material and pavement surface.

**Grate Unit**

Grates shall be factory fitted to MDPE bodies to provide a monolithic unit. Water intake area per 2 meter unit will be 58.20in<sup>2</sup> (37,550mm<sup>2</sup>)

**Catch Basin**

See appropriate spec info for catch basin information.

**Installation**

The trench drain system shall be installed in accordance with the manufacturer's installation instructions and recommendations.

**ACO, Inc.**  
**Northeast Sales Office**  
9470 Pinecone Drive  
Mentor, OH 44060  
Tel: (440) 639-7230  
Toll free: (800) 543-4764  
Fax: (440) 639-7235

**West Sales Office**  
825 W. Beechcraft St.  
Casa Grande, AZ 85122  
Tel: (520) 421-9988  
Toll Free: (888) 490-9552  
Fax: (520) 421-9899

**Southeast Sales Office**  
4211 Pleasant Road  
Fort Mill, SC 29708  
Toll free: (800) 543-4764  
Fax: (803) 802-1063



**Electronic Contact:**  
info@acousa.com  
www.acousa.com



© April 2018, ACO, Inc. This information is believed to be accurate but it is not guaranteed to be so. We cannot assume liability for results that buyer obtains with our product since conditions of use are beyond the control of the company. It is the customer's responsibility to evaluate suitability and safety of product for his own use. ACO, Inc. reserves the right to change the product and specifications without notice. Reorder RD030