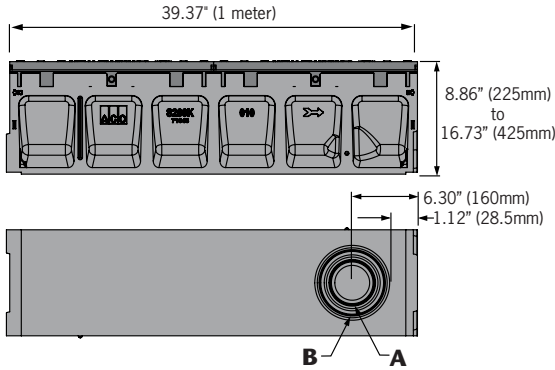
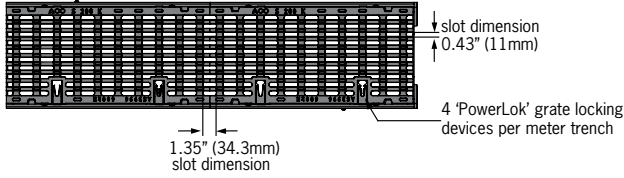
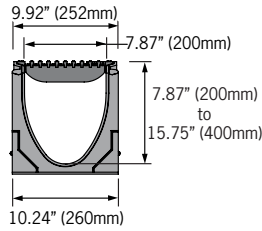


**PowerDrain - S200K iron edged channel system with longitudinal grate (ADA)**

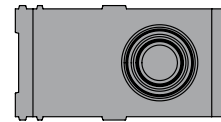
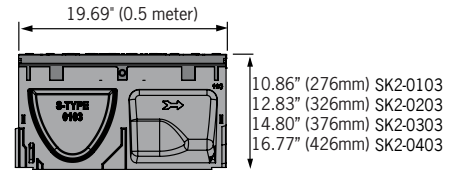
**One meter channel**



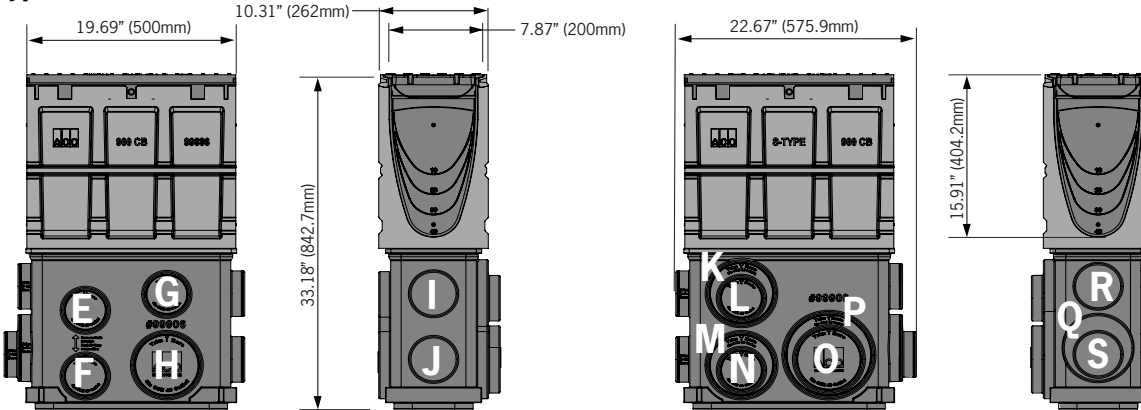
Knock-outs included on every 5th channel



**Half meter channel**



**Type 902D In-line catch basin**



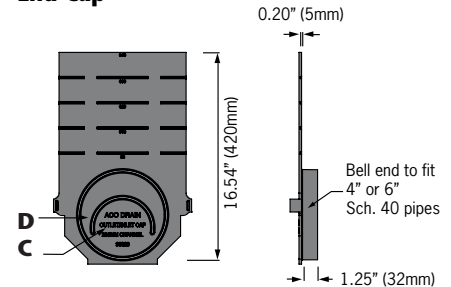
Total capacity = 19 gallons

**Outlet flow rates**

Outlet	Product	Outlet size (Sch. 40)	Invert Depth	GPM	CFS
A	Bottom outlet - SK2-00	4" round	7.87"	153	0.34
A	Bottom outlet - SK2-040	4" round	15.75"	216	0.48
B	Bottom outlet - SK2-00	6" round	7.87"	344	0.77
B	Bottom outlet - SK2-040	6" round	15.75"	486	1.08
C	End outlet - SK2-00	4" round	7.87"	132	0.29
C	End outlet - SK2-40	4" round	15.75"	202	0.45
D	End outlet - SK2-10	6" round	9.84"	320	0.71
D	End outlet - SK2-40	6" round	15.75"	437	0.97
E	Type SK2-902D	4" round	25.33"	263	0.59
F	Type SK2-902D	4" round	31.83"	297	0.66
G	Type SK2-902D	4" round	23.76"	254	0.57
H	Type SK2-902D	6" round	31.83"	658	1.47
I	Type SK2-902D	4" round	23.91"	255	0.57
J	Type SK2-902D	4" round	30.40"	290	0.65
K	Type SK2-902D	6" round	24.68"	570	1.27
L	Type SK2-902D	4" round	24.13"	256	0.57
M	Type SK2-902D	6" round	31.82"	658	1.47
N	Type SK2-902D	4" round	31.26"	294	0.66
O	Type SK2-902D	6" round	31.26"	651	1.45
P	Type SK2-902D	8" round	31.82"	1149	2.56
Q	Type SK2-902D	6" round	30.32"	640	1.43
R	Type SK2-902D	4" round	23.19"	251	0.56
S	Type SK2-902D	4" round	29.90"	288	0.64

Note: These are the pipe flow rates at the specified outlet, NOT channel flow rates. \*Catch basin flow rates are without trash bucket - using trash bucket reduces flow.

**End Cap**



**ACO DRAIN**

**PowerDrain - S200K iron edged channel system with longitudinal grate (ADA)**



ACO Specification Information

Description	Part No.	Invert Inches <sup>2</sup>	mm <sup>2</sup>	Weight lbs.	Description	Part No.	Invert Inches <sup>2</sup>	mm <sup>2</sup>	Weight lbs.
<b>SK2-00 Neutral channel - 39.37" (1m)<sup>D</sup></b>	<b>71141</b>	<b>7.87</b>	<b>200</b>	<b>133.7</b>	SK2-28 Sloped channel - 39.37" (1m)	<b>71128</b>	13.38	340	163.5
SK2-1 Sloped channel - 39.37" (1m)	<b>71101</b>	8.07	205	133.7	SK2-29 Sloped channel - 39.37" (1m)	<b>71129</b>	13.58	345	164.6
SK2-2 Sloped channel - 39.37" (1m)	<b>71102</b>	8.26	210	134.8	SK2-30 Sloped channel - 39.37" (1m) <sup>D</sup>	<b>71130</b>	13.77	350	165.7
SK2-3 Sloped channel - 39.37" (1m)	<b>71103</b>	8.46	215	135.9	<b>SK2-030 Neutral channel - 39.37" (1m)<sup>D</sup></b>	<b>71147</b>	<b>13.77</b>	<b>350</b>	<b>165.7</b>
SK2-4 Sloped channel - 39.37" (1m)	<b>71104</b>	8.66	220	137.0	<b>SK2-0303 Neutral channel - 19.69" (0.5m)<sup>D</sup></b>	<b>71148</b>	<b>13.77</b>	<b>350</b>	<b>97.6</b>
SK2-5 Sloped channel - 39.37" (1m) <sup>D</sup>	<b>71105</b>	8.85	225	138.1	SK2-31 Sloped channel - 39.37" (1m)	<b>71131</b>	13.97	355	166.9
SK2-6 Sloped channel - 39.37" (1m)	<b>71106</b>	9.05	230	139.2	SK2-32 Sloped channel - 39.37" (1m)	<b>71132</b>	14.17	360	168.0
SK2-7 Sloped channel - 39.37" (1m)	<b>71107</b>	9.25	235	140.3	SK2-33 Sloped channel - 39.37" (1m)	<b>71133</b>	14.37	365	169.1
SK2-8 Sloped channel - 39.37" (1m)	<b>71108</b>	9.44	240	141.4	SK2-34 Sloped channel - 39.37" (1m)	<b>71134</b>	14.56	370	170.2
SK2-9 Sloped channel - 39.37" (1m)	<b>71109</b>	9.64	245	142.5	SK2-35 Sloped channel - 39.37" (1m) <sup>D</sup>	<b>71135</b>	14.76	375	171.3
SK2-10 Sloped channel - 39.37" (1m) <sup>D</sup>	<b>71110</b>	9.84	250	143.6	SK2-36 Sloped channel - 39.37" (1m)	<b>71136</b>	14.96	380	172.4
<b>SK2-010 Neutral channel - 39.37" (1m)<sup>D</sup></b>	<b>71143</b>	<b>9.84</b>	<b>250</b>	<b>143.7</b>	SK2-37 Sloped channel - 39.37" (1m)	<b>71137</b>	15.15	385	173.5
<b>SK2-0103 Neutral channel - 19.69" (0.5m)<sup>D</sup></b>	<b>71144</b>	<b>9.84</b>	<b>250</b>	<b>85.5</b>	SK2-38 Sloped channel - 39.37" (1m)	<b>71138</b>	15.35	390	174.6
SK2-11 Sloped channel - 39.37" (1m)	<b>71111</b>	10.03	255	144.7	SK2-39 Sloped channel - 39.37" (1m)	<b>71139</b>	15.55	395	175.7
SK2-12 Sloped channel - 39.37" (1m)	<b>71112</b>	10.23	260	145.8	SK2-40 Sloped channel - 39.37" (1m) <sup>D</sup>	<b>71140</b>	15.74	400	176.8
SK2-13 Sloped channel - 39.37" (1m)	<b>71113</b>	10.43	265	146.9	<b>SK2-040 Neutral channel - 39.37" (1m)<sup>D</sup></b>	<b>71149</b>	<b>15.74</b>	<b>400</b>	<b>176.8</b>
SK2-14 Sloped channel - 39.37" (1m)	<b>71114</b>	10.62	270	148.1	<b>SK2-0403 Neutral channel - 19.69" (0.5m)<sup>D</sup></b>	<b>71150</b>	<b>15.74</b>	<b>400</b>	<b>106.4</b>
SK2-15 Sloped channel - 39.37" (1m) <sup>D</sup>	<b>71115</b>	10.82	275	149.2	SK2-902D In-line catch basin - 19.69" (0.5m) <sup>D</sup>	<b>94619</b>	37.36	949	106.1
SK2-16 Sloped channel - 39.37" (1m)	<b>71116</b>	11.02	280	150.3	SK2-621D In-line catch basin - 19.69" (0.5m) <sup>D</sup>	<b>94575</b>	37.40	950	144.0
SK2-17 Sloped channel - 39.37" (1m)	<b>71117</b>	11.22	285	151.4	SK2-631D catch basin - 19.69" (0.5m) <sup>D</sup>	<b>94579</b>	49.33	1253	154.0
SK2-18 Sloped channel - 39.37" (1m)	<b>71118</b>	11.41	290	152.5	Series 600 Optional plastic riser	<b>99902</b>	-	-	10.0
SK2-19 Sloped channel - 39.37" (1m)	<b>71119</b>	11.61	295	153.6	Foul air trap - fits both 910 & 610 basins	<b>90854</b>	-	-	1.2
SK2-20 Sloped channel - 39.37" (1m) <sup>D</sup>	<b>71120</b>	11.81	300	154.7	8" channel Universal end cap	<b>96823</b>	19.69	500	1.4
<b>SK2-020 Neutral channel - 39.37" (1m)<sup>D</sup></b>	<b>71145</b>	<b>11.81</b>	<b>300</b>	<b>154.7</b>	Debris strainer for 4" bottom knockout	<b>93488</b>	-	-	0.2
<b>SK2-0203 Neutral channel - 19.69" (0.5m)<sup>D</sup></b>	<b>71146</b>	<b>11.81</b>	<b>300</b>	<b>93.1</b>	8" channel Installation device	<b>97478</b>	-	-	4.0
SK2-21 Sloped channel - 39.37" (1m)	<b>71121</b>	12.00	305	155.8	Grate removal tool	<b>01318</b>	-	-	0.3
SK2-22 Sloped channel - 39.37" (1m)	<b>71122</b>	12.20	310	156.9					
SK2-23 Sloped channel - 39.37" (1m)	<b>71123</b>	12.40	315	158.0					
SK2-24 Sloped channel - 39.37" (1m)	<b>71124</b>	12.59	320	159.1					
SK2-25 Sloped channel - 39.37" (1m) <sup>D</sup>	<b>71125</b>	12.79	325	160.2					
SK2-26 Sloped channel - 39.37" (1m)	<b>71126</b>	12.99	330	161.3					
SK2-27 Sloped channel - 39.37" (1m)	<b>71127</b>	13.18	335	162.4					

Notes:

1. This channel offers bottom knockout feature: 6" & 8" round.
2. Inverts shown are male end; for female invert depth subtract 5mm (≈0.2") from male invert (except neutral channels where it will be same as male invert).  
To calculate overall channel depth, add 25.4mm (1.0") to invert depth.
3. Catch basin assembly includes polymer concrete top, PowerLok grate, trash bucket and plastic base.
4. Catch basin assembly includes polymer concrete top, PowerLok grate, deep trash bucket, plastic riser and plastic base.
5. Water intake per meter channel is 134.2 in<sup>2</sup> (865.80 cm<sup>2</sup>)

<b>Specifications</b>		Frost proof	YES	edge rail shall be at least 1/4" (6mm) thick.
		Salt proof	YES	
		Dilute acid and alkali resistant	YES	
<b>General</b>	The surface drainage system shall be ACO Drain PowerDrain S200K complete with longitudinal ADA compliant gratings secured with 'PowerLok' locking as manufactured by ACO, Inc. or equal approved.	The nominal clear opening shall be 8" (200mm) with overall width of 10.24" (260mm). Pre-cast units shall be manufactured with either an invert slope of 0.5% or with neutral invert and have a wall thickness of at least 0.67" (16mm). Each unit will feature a partial radius in the trench bottom and a male to female interconnecting end profile. Units shall have horizontal cast in anchoring keys on the outside wall to ensure maximum mechanical bond to the surrounding bedding material and pavement surface. The ductile iron edge rail will be integrally cast in by the manufacturer to ensure maximum homogeneity between polymer concrete body and edge rail. Each		<b>Grates</b> Grates come in longitudinal ductile iron. Ductile iron to ASTM 536-84 - Grade 65-45-12. After removal of gratings there shall be uninterrupted access to the trench to aid maintenance.
<b>Materials</b>	The trench system bodies shall be manufactured from polymer concrete with minimum properties as follows:			<b>Installation</b> The trench drain system shall be installed in accordance with the manufacturer's installation instructions and recommendations.
Compressive strength:	14,000 psi			
Flexural strength:	4,000 psi			
Water absorption	0.07%			

**ACO, Inc.**  
**Northeast Sales Office**  
 9470 Pinecone Drive  
 Mentor, OH 44060  
 Tel: (440) 639-7230  
 Toll free: (800) 543-4764  
 Fax: (440) 639-7235

**West Sales Office**  
 825 W. Beechcraft St.  
 Casa Grande, AZ 85122  
 Tel: (520) 421-9988  
 Toll Free: (888) 490-9552  
 Fax: (520) 421-9899

**Southeast Sales Office**  
 4211 Pleasant Road  
 Fort Mill, SC 29708  
 Toll free: (800) 543-4764  
 Fax: (803) 802-1063

Follow us on  
  
**Electronic Contact:**  
 info@ACODrain.us  
 www.ACODrain.us



© April 2018 ACO, Inc. This information is believed to be accurate but it is not guaranteed to be so. We cannot assume liability for results that buyer obtains with our product since conditions of use are beyond the control of the company. It is the customer's responsibility to evaluate suitability and safety of product for his own use. ACO, Inc. reserves the right to change the product and specifications without notice.