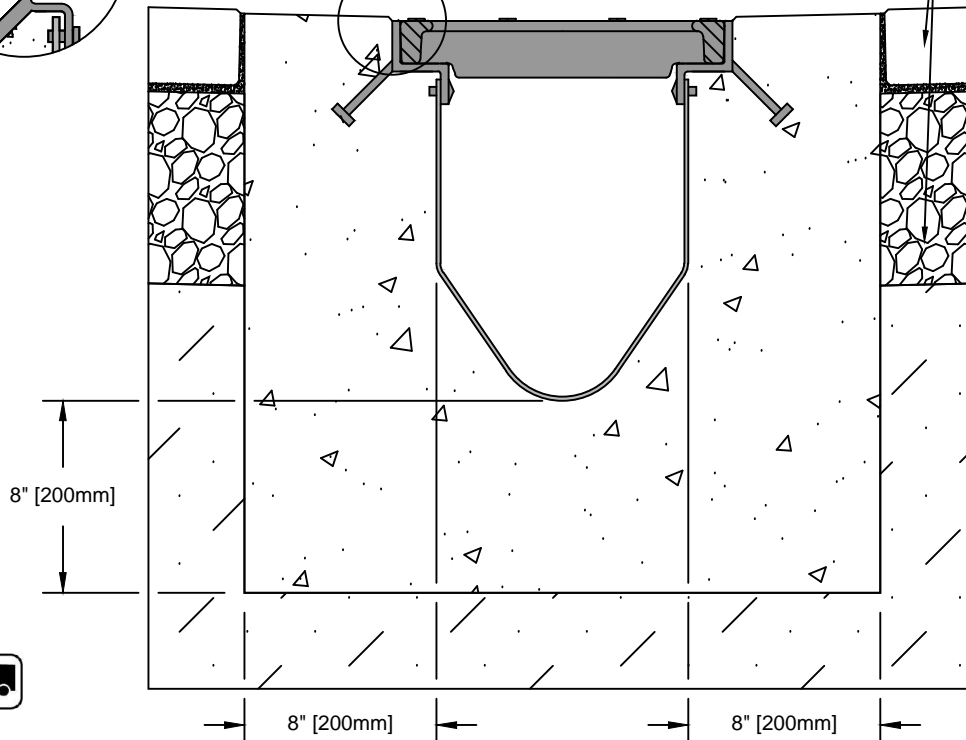


SEE NOTE 4

PAVEMENT PER DESIGN DOCUMENTS



NOTES:

1. IT IS NECESSARY TO ENSURE MINIMUM DIMENSIONS SHOWN ARE SUITABLE FOR EXISTING GROUND CONDITIONS. *ENGINEERING ADVICE MAY BE REQUIRED.*
2. MINIMUM CONCRETE STRENGTH OF 4,000 PSI IS RECOMMENDED. CONCRETE SHOULD BE VIBRATED TO ELIMINATE AIR POCKETS.
3. EXPANSION AND CONTRACTION CONTROL JOINTS AND REINFORCEMENT ARE RECOMMENDED TO PROTECT CHANNEL AND CONCRETE SURROUND. *ENGINEERING ADVICE MAY BE REQUIRED.*
4. THE FINISHED LEVEL OF THE CONCRETE SURROUND MUST BE APPROX. 1/8" [3mm] ABOVE THE TOP OF THE CHANNEL EDGE.
5. CONCRETE BASE THICKNESS SHOULD MATCH SLAB THICKNESS. *ENGINEERING ADVICE MAY BE REQUIRED TO DETERMINE PROPER LOAD CLASS.*
6. REFER TO ACO'S LATEST INSTALLATION INSTRUCTIONS FOR FURTHER DETAILS.

SPECIFICATION CLAUSE

FG200 FLOWDRAIN LOAD CLASS C

GENERAL

THE SURFACE DRAINAGE SYSTEM SHALL BE ACO FG200 COMPLETE WITH GRATINGS SECURED WITH BOLTED GRATES AND GALVANIZED STEEL "Z" FRAMES AS MANUFACTURED BY ACO POLYMER PRODUCTS, INC.

MATERIALS

CHANNELS SHALL BE MANUFACTURED FROM FIBERGLASS, WITH MINIMUM PROPERTIES AS FOLLOWS:

COMPRESSIVE STRENGTH:	24,000 PSI
FLEXURAL STRENGTH:	9,943 PSI
TENSILE STRENGTH:	16,400 PSI
WATER ABSORPTION:	0.33%
FROST PROOF	YES
DILUTE ACID AND ALKALI RESISTANT	YES
B117 SALT SPRAY TEST COMPLIANT	YES

SYSTEM SHALL BE 8" (200mm) NOMINAL INTERNAL WIDTH WITH A 10.63" (270mm) OVERALL WIDTH AND A BUILT-IN SLOPE OF 1.0% AND HAVE WALL THICKNESS OF AT LEAST 1/8" (3mm). EACH UNIT SHALL FEATURE A FULL 'V' PROFILE TRENCH BOTTOM AND A 2" (50mm) MALE TO FEMALE INTERCONNECTING END PROFILE. FRAMES SHALL BE GALVANIZED STEEL AND SHALL INCORPORATE ANCHORING FEATURES TO ENSURE MAXIMUM BOND TO SURROUNDING ENCASEMENT. FRAMES SHALL INCORPORATE INSTALLATION BRACKETS TO ENSURE CORRECT AND EASY INSTALLATION. FRAMES SHALL BE AT LEAST 3/16" (5mm) THICK.

THE COMPLETE DRAINAGE SYSTEM SHALL BE BY ACO POLYMER PRODUCTS, INC. ANY DEVIATION OR PARTIAL SYSTEM DESIGN AND/OR IMPROPER INSTALLATION WILL VOID ANY AND ALL WARRANTIES PROVIDED BY ACO POLYMER PRODUCTS, INC.

CHANNEL SHALL WITHSTAND LOADING TO PROPER LOAD CLASS AS OUTLINED BY EN 1433. GRATE TYPE SHALL BE APPROPRIATE TO MEET THE SYSTEM LOAD CLASS SPECIFIED AND INTENDED APPLICATION. GRATINGS SHALL BE SECURED WITH TWO STAINLESS STEEL BOLTS PER 18" GRATE. CHANNEL AND GRATE SHALL BE CERTIFIED TO MEET THE SPECIFIED EN 1433 LOAD CLASS. THE SYSTEM SHALL BE INSTALLED IN ACCORDANCE WITH THE MANUFACTURER'S INSTRUCTIONS AND RECOMMENDATIONS.

FG2G-C-EPP

FG200 - FLOWDRAIN GALV FRAME - LOAD CLASS: C

Exposed Paver Pavement

ACO Polymer Products, Inc.



DATE: 08-28-15

INSTALLATION DRAWING - ACO DRAIN

825 W. Beechcraft St
Casa Grande, AZ 85122
Tel: 520-421-9988
Fax: 520-421-9899

9470 Pinecone Dr
Mentor, OH 44060
Tel: 440-639-7230
Fax: 440-639-7235

4211 Pleasant Rd.
Fort Mill, SC 29708
Tel: 440-639-7230
Fax: 803-802-1063