

BridgeDrain Scupper - Ductile Iron Longitudinal Grate (ADA)



Product Features

- Certified to EN 1433 Load Class E - 135,000 lbs - 2,323 psi
- Supplied with two ½ -13 x 1½" hex head bolts to lock down grate
- Suitable for use with any ACO Infrastructure BridgeDrain Scupper
- Manufactured from ductile iron to ASTM A 536-84 - Grade 64-45-12
- E-coated for improved resistance against rust
- Complies with ADA - American Disabilities Act of 1990 Section 4.5.4
- Complies with ASME: A112.6.3 - 2001: Section 7.12
- Bicycle Tire Penetration Resistant to AS3996-2006



Specifications

General

The surface drainage system shall be ACO INFRASTRUCTURE BridgeDrain Scupper complete with ductile iron slotted grate with bolt locking as manufactured by ACO, Inc. or similar approved.

Materials

The covers shall be manufactured from ductile iron and have **minimum** properties as follows:

- **Independently certified to meet Load Class E to EN 1433 - 135,000 lbs - 2,323 psi**
- **Ductile iron to ASTM A 536-84 - Grade 65-45-12**
- **Intake area of 35.0 sq. in. (225.8 cm²) per 18" grate**

Grate shall be certified to ASTM A536-84 - Load Class E to EN 1433 or able to withstand 2,323psi (also compliant with American Disabilities Act Section 4.5.4). The overall width of 10.00" (254mm) and overall length of 18.00" (457mm). Slots measure 0.25" (6.5mm) by 1.75" (45mm).

Installation

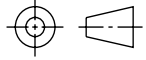
The trench drain system and grates shall be installed in accordance with the manufacturer's installation instructions and recommendations.

ACO Specification Information

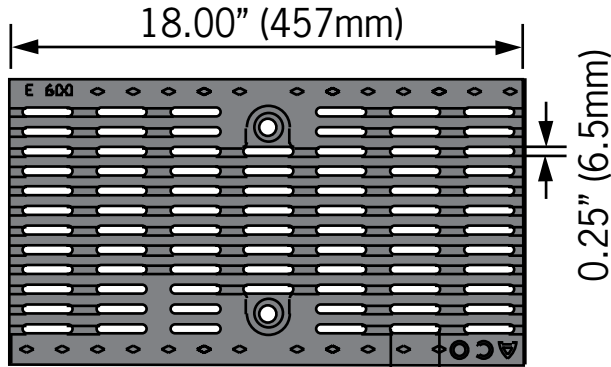


ACO INFRASTRUCTURE

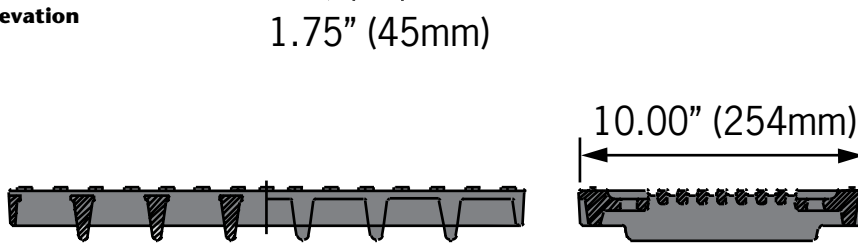
BridgeDrain Scupper - Ductile iron longitudinal grate (ADA)



Plan view



Side elevation



Description	Part No.	Length inches (mm)	Width inches (mm)	Weight lbs.
Ductile iron longitudinal grate	93893	18.00 (457)	10.00 (254)	25.2
Replacement stainless steel hex head bolts (Qty 2)	93892	-	-	0.2

ACO Specification Information

ACO, Inc.

East Sales Office

9470 Pinecone Dr.
Mentor, OH 44060
Tel: (440) 639-7230
Toll free: (800) 543-4764
Fax: (440) 639-7235

West Sales Office

825 W. Beechcraft St.
Casa Grande, AZ 85122
Tel: (520) 421-9988
Toll Free: (888) 490-9552
Fax: (520) 421-9899

Southeast Sales Office

4211 Pleasant Road
Fort Mill, SC 29708
Tel (800) 543-4764
Fax (803) 802-1063

Follow us on



Electronic Contact:

info@acousa.com
www.acousa.com



© April 2018, ACO, Inc. This information is believed to be accurate but it is not guaranteed to be so. We cannot assume liability for results that buyer obtains with our product since conditions of use are beyond the control of the company. It is the customer's responsibility to evaluate suitability and safety of product for his own use. ACO, Inc. reserves the right to change the product and specifications without notice.