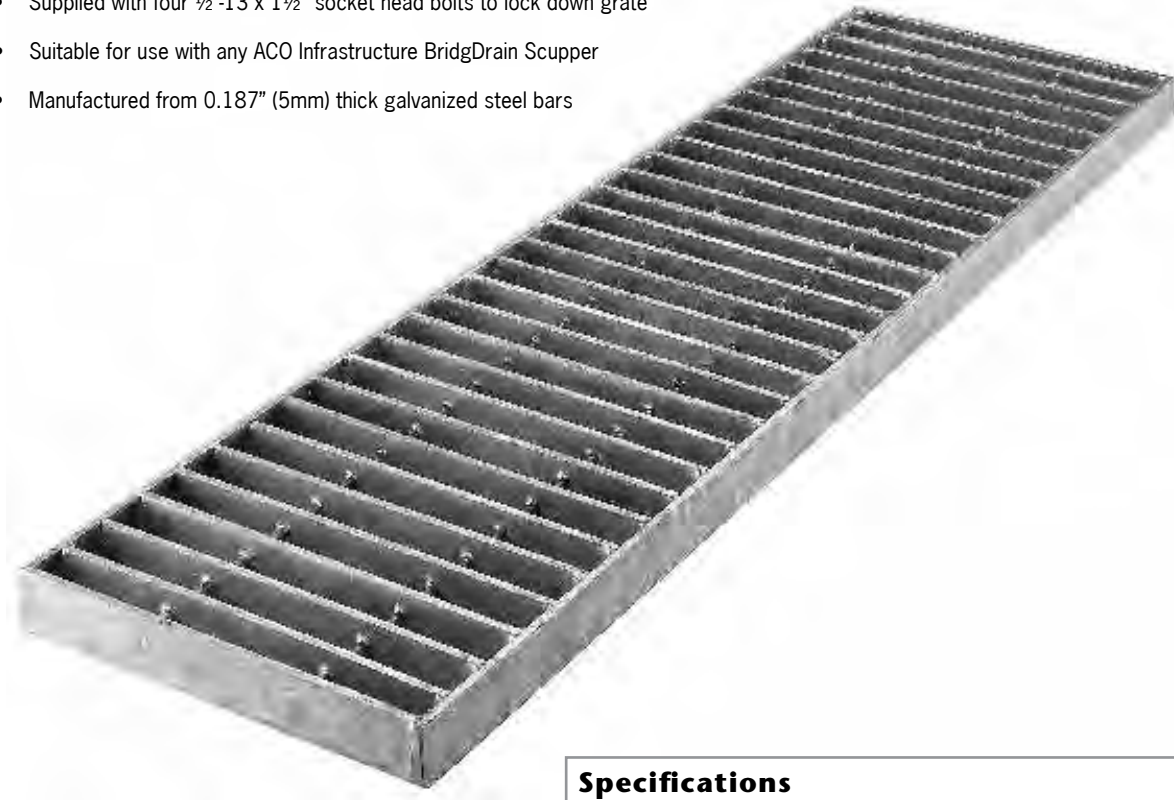


## BridgeDrain Scupper - Bar Steel Grate



### Product Features

- Certified to DIN 19580 Load Class C - 56,000 lbs - 968 psi
- Supplied with four ½ -13 x 1½" socket head bolts to lock down grate
- Suitable for use with any ACO Infrastructure BridgDrain Scupper
- Manufactured from 0.187" (5mm) thick galvanized steel bars



### Specifications

#### General

The surface drainage system shall be ACO INFRASTRUCTURE BridgeDrain Scupper complete with galvanized steel bar grate with bolt locking as manufactured by ACO, Inc. or similar approved.

#### Materials

The covers shall be manufactured from galvanized steel and have **minimum** properties as follows:

- **Independently certified to meet Load Class C to DIN 19580 - 56,000 lbs - 968 psi**
- **Intake area of 264.0 sq. in. (1703.2 cm<sup>2</sup>) per 36" grate**

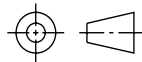
The overall width of 10.00" (254mm) and overall length of 18.00" (457mm) or 36.00" (915mm). Slots measure 3.62" (92mm) by 1.0" (25mm) and 2.69" (68mm) by 1.0" (25mm).

#### Installation

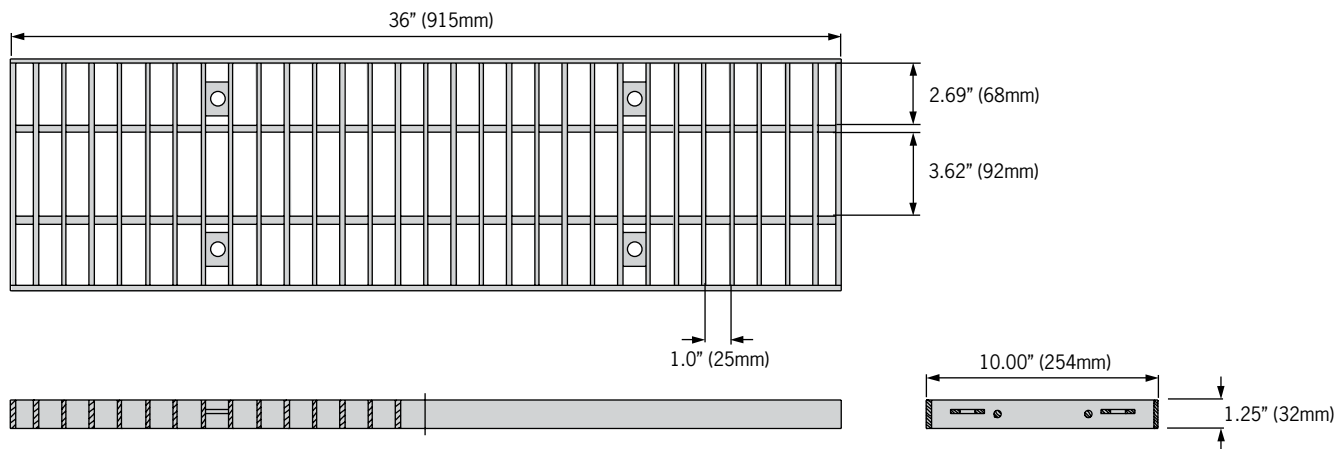
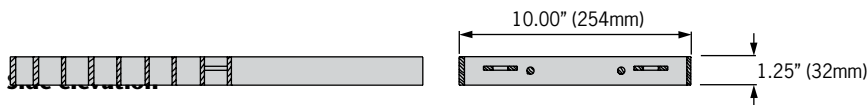
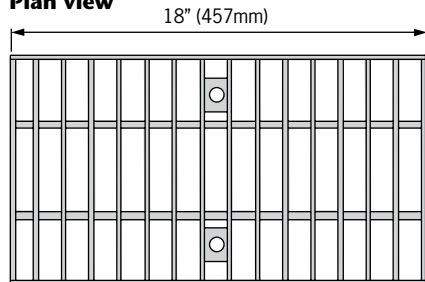
The trench drain system and grates shall be installed in accordance with the manufacturer's installation instructions and recommendations.

ACO Specification Information





Plan view



Description	Part No.	Length inches (mm)	Width inches (mm)	Weight lbs.
Galvanized steel bar grate - 18"	93900	18.00 (457)	10.00 (254)	15.0
Galvanized steel bar grate - 36"	93899	36.00 (915)	10.00 (254)	28.6
Replacement galvanized steel socket head bolts (Qty 4)	93895	-	-	0.4

ACO Specification Information

ACO, Inc.

**East Sales Office**  
 9470 Pinecone Drive  
 Mentor, OH 44060  
 Tel: (440) 639-7230  
 Toll free: (800) 543-4764  
 Fax: (440) 639-7235

**West Sales Office**  
 825 W. Beechcraft St.  
 Casa Grande, AZ 85122  
 Tel: (520) 421-9988  
 Toll Free: (888) 490-9552  
 Fax: (520) 421-9899

Follow us on



**Electronic Contact:**  
 info@acousa.com  
 www.acousa.com

