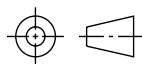
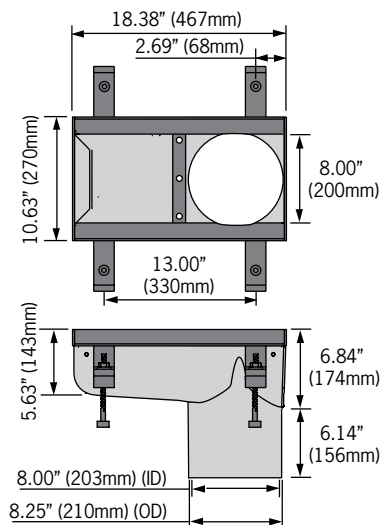


BridgeDrain - 18" Scupper with black coated frame

E
up to
2,323 psi

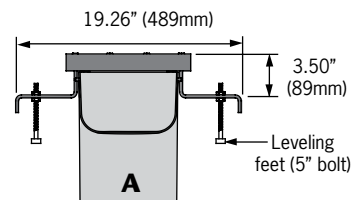


Scupper - 18"

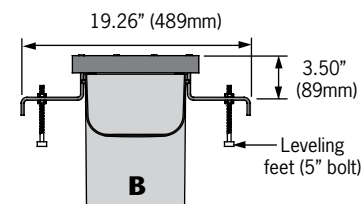
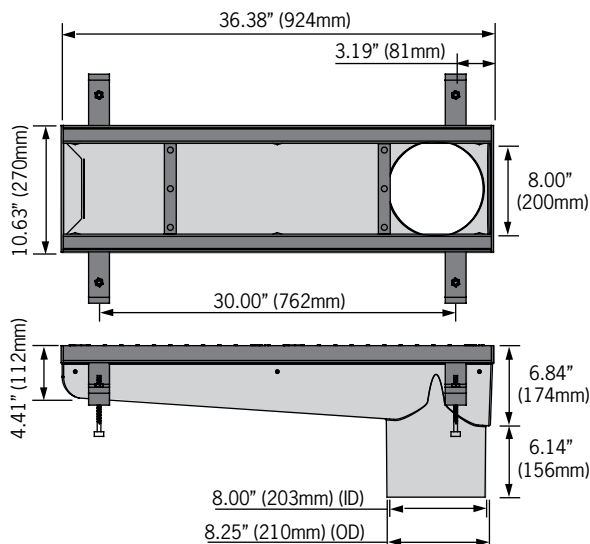


Outlet flow rates

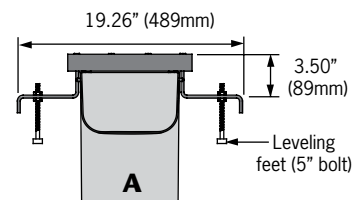
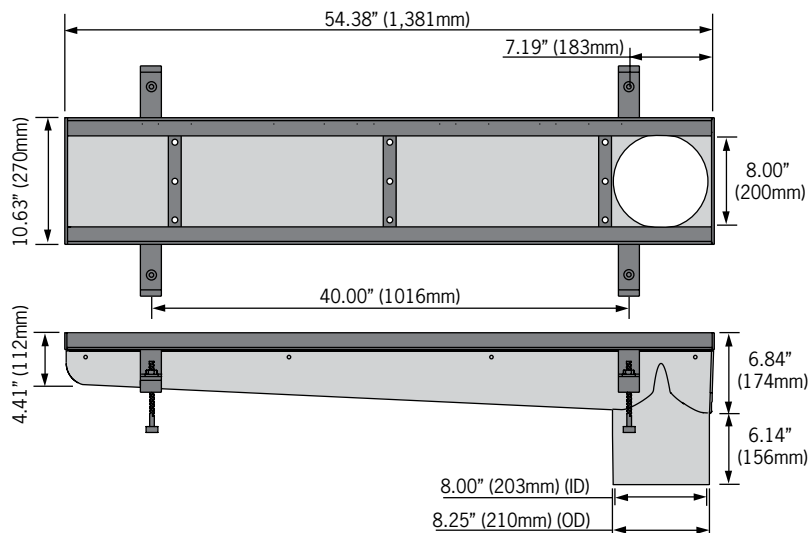
Outlet	Outlet Size	Invert Depth	GPM	CFS
A	8" ID pipe	6.60"	516	1.15



Scupper - 36"



Scupper - 54"



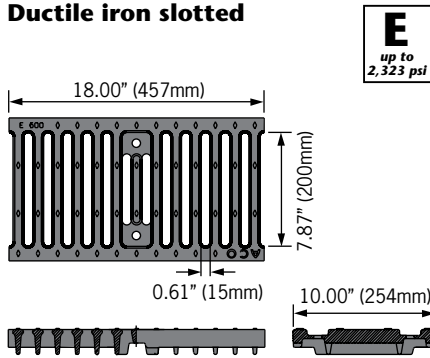
ACO Specification Information



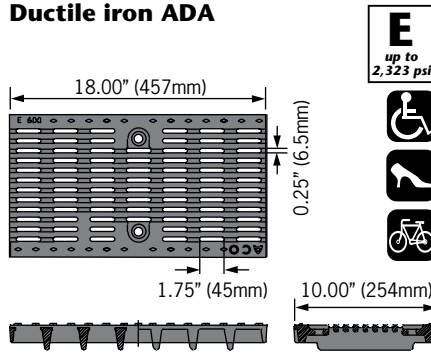
ACO INFRASTRUCTURE

BridgeDrain Scupper Grates

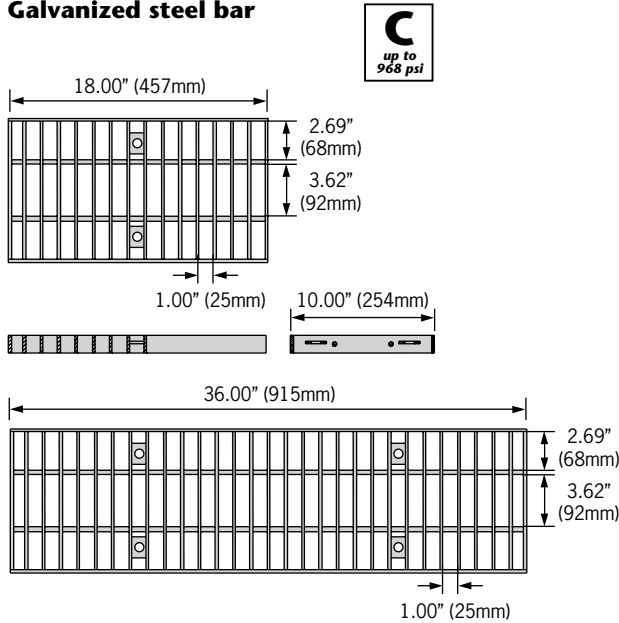
Ductile iron slotted



Ductile iron ADA



Galvanized steel bar



BridgeDrain Scupper - Part List

Description	Part No	Length		Invert Depth - female		Invert Depth - male		Weight lbs
		inches	mm	inches	mm	inches	mm	
Scuppers								
18" scupper with black frame	95349	18.38	467	5.51	140	6.60	167	42.5
18" scupper with galv. frame	95352	18.38	467	5.51	140	6.60	167	42.5
36" scupper with black frame	95348	36.38	924	4.30	109	6.60	167	85.0
36" scupper with galv. frame	95351	36.38	924	4.30	109	6.60	167	85.0
54" scupper with black frame	95347	54.38	1,381	4.30	109	6.60	167	127.5
54" scupper with galv. frame	95350	54.38	1,381	4.30	109	6.60	167	127.5
Grates								
Ductile iron ADA grate	93893	18.00	457	-	-	-	-	28.2
Ductile iron slotted grate	93896	18.00	457	-	-	-	-	25.2
Galvanized steel bar grate	93900	18.00	457	-	-	-	-	15.0
Galvanized steel bar grate	93901	36.00	915	-	-	-	-	28.6

ACO, Inc.

West Sales Office
825 W. Beechcraft St.
Casa Grande, AZ 85122
Tel: (520) 421-9988
Toll Free: (888) 490-9552
Fax: (520) 421-9899

Northeast Sales Office
9470 Pinecone Dr.
Mentor, OH 44060
Tel: (440) 639-7230
Toll free: (800) 543-4764
Fax: (440) 639-7235

Southeast Sales Office
4211 Pleasant Road
Fort Mill, SC 29708
Tel: (800) 543-4764
Fax (803) 802-1063



Electronic Contact:
info@acousa.com
www.acousa.com

Specifications

General

The surface drainage system shall be ACO INFRASTRUCTURE BridgeDrain Scuppers as manufactured by ACO, Inc. or equal approved.

Materials

The scupper bodies shall be manufactured from polyester fiberglass, with minimum properties as follows:

Compressive strength: 24,400 psi
Flexural strength: 9,943 psi
Water absorption: 0.33%

Frost proof

Salt proof - B117 Salt Spray Test compliant
Dilute acid and alkali resistant

The nominal clear opening shall be 8.00" (203mm) with overall width of 10.63" (270mm). Units shall be manufactured with a sloped invert and have a wall thickness of at least 0.125" (3mm) Each unit will feature a 8" outlet pipe. The fiberglass channel body shall be fixed to the frame using push fit nylon studs.

Frames shall be manufactured from either galvanized*/black powder coated* steel. Frames shall incorporate levelling feet to ensure correct and easy installation; leveling feet also act as concrete anchors to ensure maximum mechanical bond to surrounding bedding material and pavement surface. Frame shall be at least 0.188" (5mm) thick.

Grates

Grates shall be (select one):

- **Galvanized steel bar grate** - Load Class C to EN 1433 or able to withstand 968psi
- **ADA ductile iron grate** to ASTM A536-84 - Load Class E to EN 1433 or able to withstand 2,323psi (also compliant with American Disabilities Act Section 4.5.4)
- **Slotted ductile iron grate** to ASTM A536-84 - Load Class E to EN 1433 or able to withstand 2,323psi.

Installation

The surface drain system shall be installed in accordance with the manufacturer's installation instructions and drawings.

An electronic version of the specification clause and installation section drawings are available on-line at www.acoinfrastructure.us/resources.html