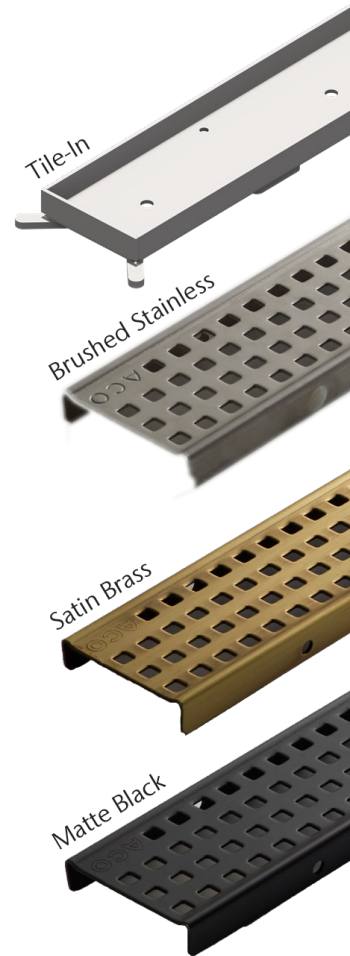
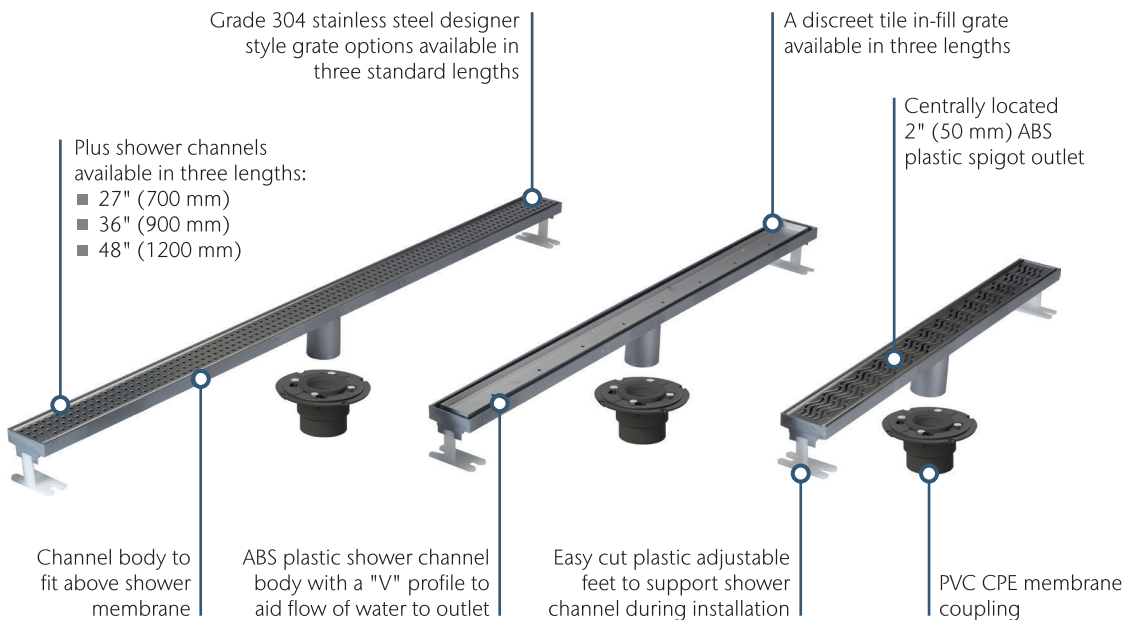


ACO ShowerDrain

Plus ShowerChannel



ACO ShowerDrain

Linear shower drains offer a design statement in homes, spas, casinos and boutique hotels, as well as a more pragmatic use in hospitals, assisted living facilities or applications where access, corrosion-resistance or hygiene is a major concern.

Products are suitable for traditional shower design and also allow the elimination of physical barriers within the bathroom floor for a contemporary look while complying with universal design concepts.








ACO ShowerDrain Plus

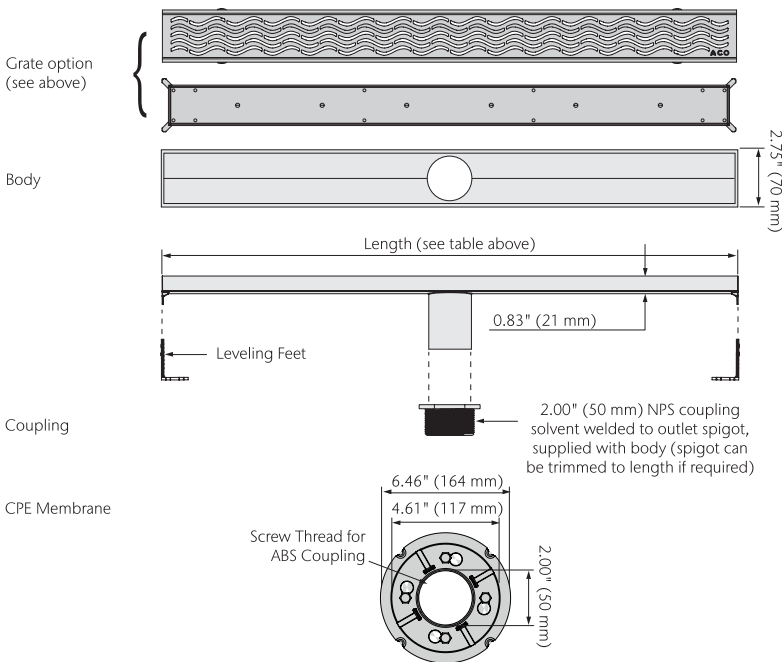
The ACO ShowerDrain Plus product range provides an economical way to mimic the high-end trend of designer linear shower drains. A similar quality stainless steel grate option coupled with a cost-effective plastic body provides an affordable solution. All products are sealed in a package for care of installation.

ACO ShowerDrain

Plus ShowerChannel

Product Table

| Product | Design | Length in (mm) | Slot Size in (mm) | Grate Intake in ² (cm ²) | Part No. | Weight lbs |
|--|--------------------|----------------|-------------------|---|---------------|------------|
|  | Square Stainless | 27.0 (700) | 0.24 (6) | 11.9 (76.8) | 143150 | 3.2 |
| | Gray Channel | 36.0 (900) | | 15.5 (100.0) | 143151 | 3.5 |
| | | 48.0 (1200) | | 20.9 (134.8) | 143152 | 4.5 |
|  | Square Matte Black | 27.0 (700) | 0.24 (6) | 11.9 (76.8) | 143170 | 3.2 |
| | Black Channel | 36.0 (900) | | 15.5 (100.0) | 143171 | 3.5 |
| | | 48.0 (1200) | | 20.9 (134.8) | 143172 | 4.5 |
|  | Square Satin Brass | 27.0 (700) | 0.24 (6) | 11.9 (76.8) | 143240 | 3.2 |
| | Black Channel | 36.0 (900) | | 15.5 (100.0) | 143241 | 3.5 |
| | | 48.0 (1200) | | 20.9 (134.8) | 143242 | 4.5 |
|  | Wavy Stainless | 27.0 (700) | 0.12 (3) | 17.1 (110.3) | 143155 | 3.2 |
| | Gray Channel | 36.0 (900) | | 22.2 (143.2) | 143156 | 3.5 |
| | | 48.0 (1200) | | 30.1 (194.2) | 143157 | 4.5 |
|  | Wavy Matte Black | 27.0 (700) | 1.65 (42) | 17.1 (110.3) | 143175 | 3.2 |
| | Black Channel | 36.0 (900) | | 22.2 (143.2) | 143176 | 3.5 |
| | | 48.0 (1200) | | 30.1 (194.2) | 143177 | 4.5 |
|  | Wavy Satin Brass | 27.0 (700) | 0.38 (8) | 17.1 (110.3) | 143245 | 3.2 |
| | Black Channel | 36.0 (900) | | 22.2 (143.2) | 143246 | 3.5 |
| | | 48.0 (1200) | | 30.1 (194.2) | 143247 | 4.5 |
|  | Tile-In | 27.0 (700) | perimeter | 17.8 (114.8) | 143145 | 3.8 |
| | Gray Channel | 36.0 (900) | | 22.7 (146.5) | 143146 | 4.0 |
| | | 48.0 (1200) | | 30.0 (193.5) | 143147 | 5.0 |



Note: Set contains shower channel, grate option, strainer, drain flange coupling, (2) leveling feet, threaded adapter, grate lifting key, and installation instructions

ACO, Inc.

West Sales Office
825 W. Beechcraft St.
Casa Grande, AZ 85122
Tel: 520-421-9988
Fax: 520-421-9899

North East Sales Office
9470 Pinecone Dr.
Mentor, OH 44060
Tel: 440-639-7230
Fax: 440-639-7235

South East Sales Office
4211 Pleasant Rd.
Fort Mill, SC 29708
Tel: 440-639-7230
Fax: 803-802-1063

info@acousa.com
www.acoshowerdrain.us

© February 2022 ACO, Inc. All reasonable care has been taken in compiling the information in this document. All recommendations and suggestions on the use of ACO products are made without guarantee since the conditions of use are beyond the control of the company. It is the customer's responsibility to ensure that each product is fit for its intended purpose and that the actual conditions of use are suitable. ACO, Inc. reserves the right to change products and specifications without notice. Print #SD401

ACO. creating
the future of drainage

