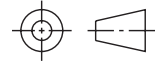
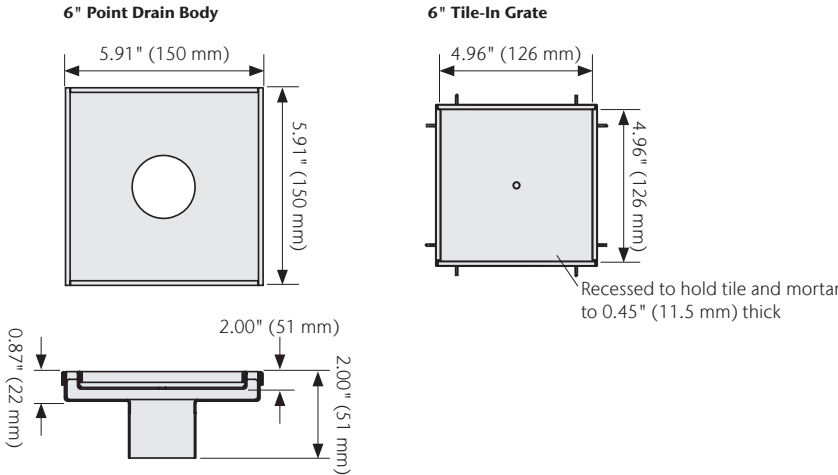


Premium ShowerPoint - 6" Tile-In Point Drain



Specification Clause

The Premium ShowerPoint point drain body shall be grade 304 stainless steel as manufactured by ACO, Inc. The grate shall be manufactured from grade 304 stainless steel with Tile-In slot design.

The tile inlay grate shall provide a 0.45" (12 mm) deep recess to accommodate tile to match surrounding floor tiles. Water shall drain via a 0.33" (9 mm) slot between the grate and frame of the body on all four sides.

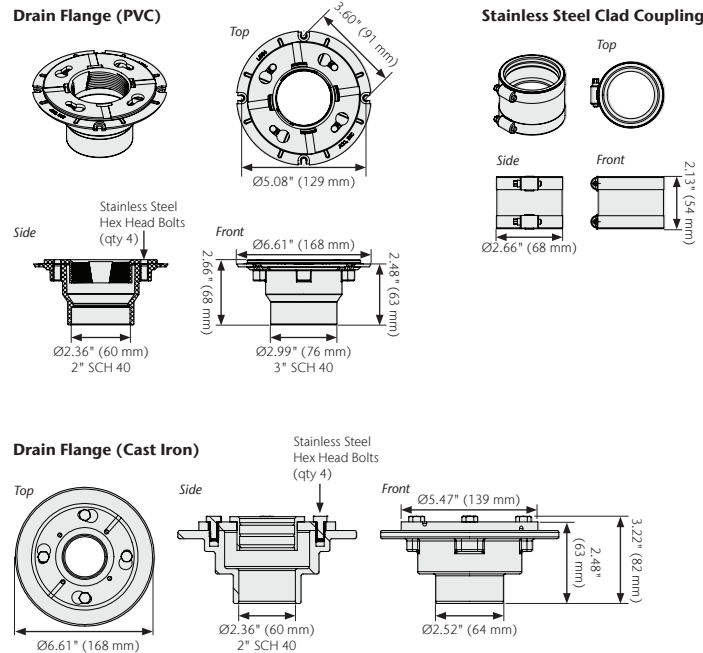
Shower outlet shall be a 5.91" (150 mm) square, with a 2.00" (50 mm) outer diameter outlet spigot. Grate shall provide a minimum intake area of 5.00 in² (32.3 cm²). Outlet shall provide minimum outlet flow rate of 12.7 GPM where installed to allow 0.20" (5 mm) head of water OR 22.2 GPM where installed to allow 0.60" (15 mm) head of water.

The PVC or Cast Iron Drain Flange—to provide connection to stainless steel spigot of shower channel and plumbing pipe system—shall be supplied by ACO, Inc. This drain flange will provide clamping ability for the waterproof membrane (supplied by others). Other connections include 2" no hub adjustable coupling (available from ACO or others)*, or a weld connection.

ACO recommends checking local plumbing codes prior to installation.

The system shall be installed in accordance with the manufacturer's instructions and recommendations.

*Delete as necessary.



Each product includes:

- (1) Point Drain Body
- (1) Tile-In Grate
- (1) Threaded Adapter
- (1) Grate Lifting Key
- Installation Instructions

Parts

Part No.	Grate Material	Intake in ² (cm ²)	Weight lbs
6" Point Drain Body w/ Tile-In Grate	AISI 304	5.00 (32.3)	2.0

ACO, Inc.

West Sales Office
825 W. Beechcraft Street
Casa Grande, AZ 85122
Tel: (520) 421-9988
Toll-Free: (888) 490-9552
Fax: (520) 421-9899

Northeast Sales Office
9470 Pinecone Drive
Mentor, OH 44060
Tel: (440) 639-7230
Toll-Free: (800) 543-4764
Fax: (440) 639-7235

Southeast Sales Office
4211 Pleasant Road
Fort Mill, SC 29708
Toll-Free: (800) 543-4764
Fax: (803) 802-1063

info@acousa.com
www.acousa.com

© December 2021 ACO, Inc.

All reasonable care has been taken in compiling the information in this document. All recommendations and suggestions on the use of ACO products are made without guarantee since the conditions of use are beyond the control of the company. It is the customer's responsibility to ensure that each product is fit for its intended purpose and that the actual conditions of use are suitable. ACO, Inc. reserves the right to change products and specifications without notice.

ACO. creating the future of drainage



ACO Specification Information