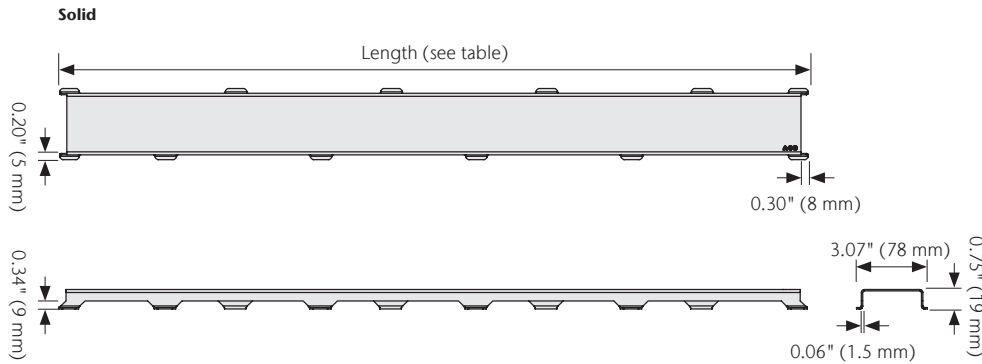


ShowerDrain Premium ShowerChannel Grate - Solid



Specification Clause

The ACO ShowerDrain Solid grate shall be 1.5 mm (16 gauge) stainless steel grade 304 manufactured by ACO, Inc. USA.

Grates shall be 3.07" (78 mm) wide with length as specified on Architect's plans/specification.

Shower channel shall be Plain Edge OR Flange Edge. See separate Spec Info Sheet for details.

ACO recommends checking local plumbing codes prior to installation.

The system shall be installed in accordance with the manufacturer's instructions and recommendations.

Classic Finish	Length in (mm)	Part No.	Intake in ² (cm ²)	Weight lbs
Brushed Stainless	27.55 (700)	37476	15.39 (99.3)	1.7
	31.50 (800)	37477	17.71 (114.3)	1.9
	35.43 (900)	37478	20.03 (129.3)	2.1
	39.37 (1000)	37479	22.35 (144.2)	2.4
	47.25 (1200)	37480	26.68 (172.2)	2.9
	55.12 (1400)	37481	31.01 (200.1)	3.4
Polished Chrome	59.05 (1500)	37393	33.35 (215.1)	3.7
	27.55 (700)	37534	15.39 (99.3)	1.7
	31.50 (800)	37535	17.71 (114.3)	1.9
	35.43 (900)	37536	20.03 (129.3)	2.1
	39.37 (1000)	37537	22.35 (144.2)	2.4
	47.25 (1200)	37538	26.68 (172.2)	2.9
Matte Black	55.12 (1400)	37539	31.01 (200.1)	3.4
	59.05 (1500)	37540	33.35 (215.1)	3.7
	27.55 (700)	37590	15.39 (99.3)	1.7
	31.50 (800)	37591	17.71 (114.3)	1.9
	35.43 (900)	37592	20.03 (129.3)	2.1
	39.37 (1000)	37593	22.35 (144.2)	2.4

Grate Lifting Key (part no. 37339) included.

Luxury Finish	Length in (mm)	Part No.	Intake in ² (cm ²)	Weight lbs
Oil-Rubbed Bronze	27.55 (700)	37654	15.39 (99.3)	1.7
	31.50 (800)	37655	17.71 (114.3)	1.9
	35.43 (900)	37656	20.03 (129.3)	2.1
	39.37 (1000)	37657	22.35 (144.2)	2.4
	47.25 (1200)	37658	26.68 (172.2)	2.9
	55.12 (1400)	37659	31.01 (200.1)	3.4
Satin Brass	59.05 (1500)	37660	33.35 (215.1)	3.7
	27.55 (700)	37718	15.39 (99.3)	1.7
	31.50 (800)	37719	17.71 (114.3)	1.9
	35.43 (900)	37720	20.03 (129.3)	2.1
	39.37 (1000)	37721	22.35 (144.2)	2.4
	47.25 (1200)	37722	26.68 (172.2)	2.9
Rose Gold	55.12 (1400)	37723	31.01 (200.1)	3.4
	59.05 (1500)	37724	33.35 (215.1)	3.7
	27.55 (700)	37790	15.39 (99.3)	1.7
	31.50 (800)	37791	17.71 (114.3)	1.9
	35.43 (900)	37792	20.03 (129.3)	2.1
	39.37 (1000)	37793	22.35 (144.2)	2.4
Black Nickel	47.25 (1200)	37794	26.68 (172.2)	2.9
	55.12 (1400)	37795	31.01 (200.1)	3.4
	59.05 (1500)	37796	33.35 (215.1)	3.7
	27.55 (700)	37860	15.39 (99.3)	1.7
	31.50 (800)	37861	17.71 (114.3)	1.9
	35.43 (900)	37862	20.03 (129.3)	2.1

ACO, Inc.

West Sales Office
825 W. Beechcraft Street
Casa Grande, AZ 85122
Tel: (520) 421-9988
Toll-Free: (888) 490-9552
Fax: (520) 421-9899

Northeast Sales Office
9470 Pinecone Drive
Mentor, OH 44060
Tel: (440) 639-7230
Toll-Free: (800) 543-4764
Fax: (440) 639-7235

Southeast Sales Office
4211 Pleasant Road
Fort Mill, SC 29708
Toll-Free: (800) 543-4764
Fax: (803) 802-1063

info@acousa.com
www.acousa.com

© December 2021 ACO, Inc.

All reasonable care has been taken in compiling the information in this document. All recommendations and suggestions on the use of ACO products are made without guarantee since the conditions of use are beyond the control of the company. It is the customer's responsibility to ensure that each product is fit for its intended purpose and that the actual conditions of use are suitable. ACO, Inc. reserves the right to change products and specifications without notice.

ACO. creating the future of drainage



ACO Specification Information