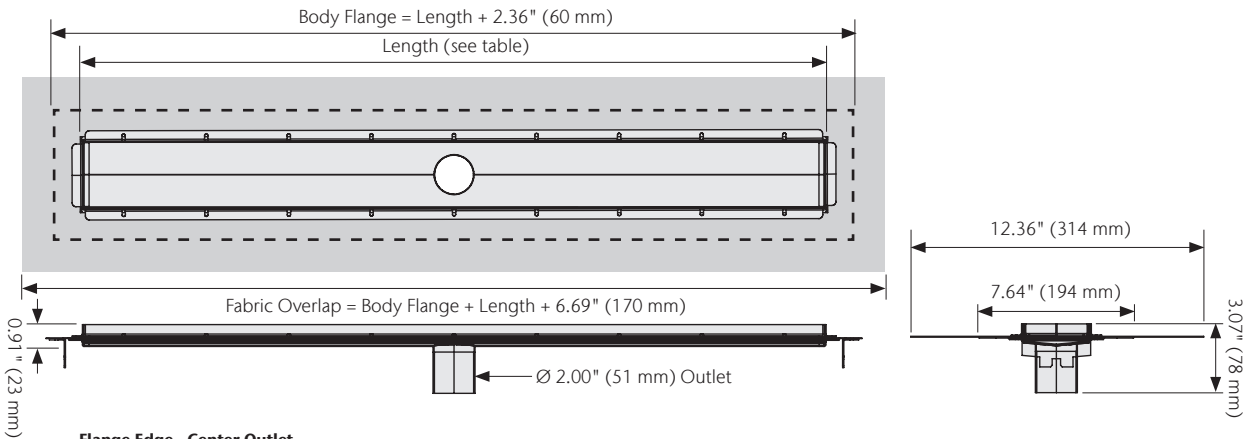


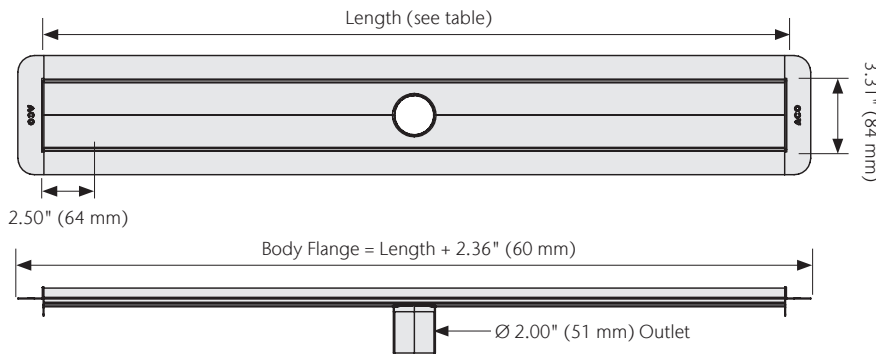
# ShowerDrain Premium ShowerChannel Flange Edge Channels



**Weeping Flange Channel - Center Outlet**



**Flange Edge - Center Outlet**



Parts	Finish	Length in (mm)	Part No.	Weight lbs
Flange Edge with Fabric & Secondary Drainage - Center Outlet	Brushed Stainless	27.55 (700)	<b>92179</b>	4.8
		31.50 (800)	<b>92180</b>	5.4
		35.43 (900)	<b>92181</b>	5.9
		39.37 (1000)	<b>92182</b>	6.4
		47.24 (1200)	<b>92183</b>	7.5
Flange Edge - Center Outlet	Brushed Stainless	55.12 (1400)	<b>92184</b>	8.6
		27.55 (700)	<b>93866</b>	3.1
		31.50 (800)	<b>93873</b>	3.5
		35.43 (900)	<b>93862</b>	3.9
		39.37 (1000)	<b>93870</b>	4.3
Stainless Steel Clad Coupling	-	47.24 (1200)	<b>93875</b>	5.1
		55.12 (1400)	<b>93817</b>	5.9
			<b>93874</b>	1.4

**Specification Clause**

The ACO ShowerDrain channel and grate system shall be stainless steel grade 304 manufactured by ACO, Inc. USA.

The surface finish shall be Electropolished. Grate shall be Flag/Hawaii/Mix/Piano/Quadrato/Wave/Linear/Glass/Solid/Tile-In.

Shower channels shall be 3.31" (84 mm) wide, flange provides overall width for 7.64" (194 mm) (Flange Edge with Fabric & Secondary Drainage - Center Outlet) and 5.67" (144 mm) (Flange Edge - Center Outlet) with length as specified on Architects plans / Architects specification. Outlet Spigot (O.D.) diameter shall be 2.00" (51 mm). Flange Edge with Fabric & Secondary Drainage - Center Outlet provided with a special coated non-woven polypropylene waterproofing fabric.

Stainless Steel Clad Coupling—to provide connection to S/S spigot of shower channel and plumbing pipe system—shall be supplied by ACO, Inc.

ACO recommends checking local plumbing codes prior to installation.

The system shall be installed in accordance with the manufacturer's instructions and recommendations.

**ACO, Inc.**

West Sales Office  
825 W. Beechcraft Street  
Casa Grande, AZ 85122  
Tel: (520) 421-9988  
Toll-Free: (888) 490-9552  
Fax: (520) 421-9899

Northeast Sales Office  
9470 Pinecone Drive  
Mentor, OH 44060  
Tel: (440) 639-7230  
Toll-Free: (800) 543-4764  
Fax: (440) 639-7235

Southeast Sales Office  
4211 Pleasant Road  
Fort Mill, SC 29708  
Toll-Free: (800) 543-4764  
Fax: (803) 802-1063

info@acousa.com  
www.acousa.com

© December 2021 ACO, Inc. All reasonable care has been taken in compiling the information in this document. All recommendations and suggestions on the use of ACO products are made without guarantee since the conditions of use are beyond the control of the company. It is the customer's responsibility to ensure that each product is fit for its intended purpose and that the actual conditions of use are suitable. ACO, Inc. reserves the right to change products and specifications without notice.

