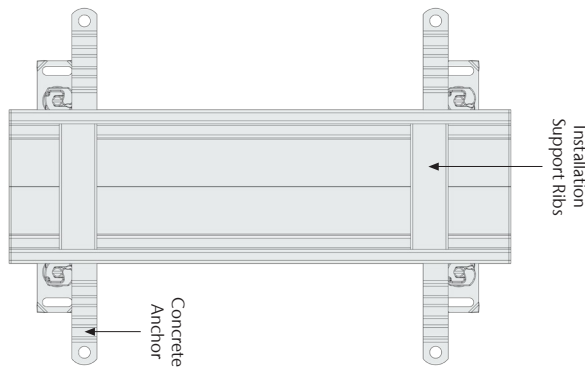
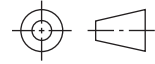


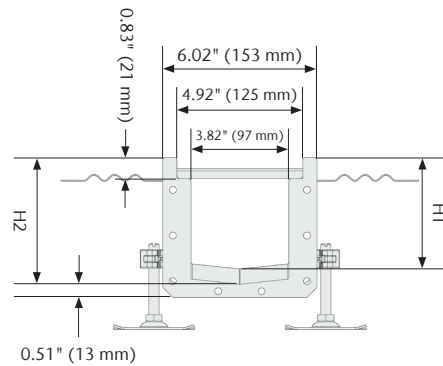
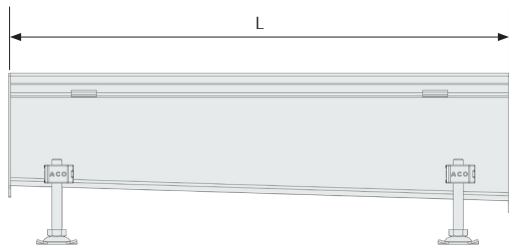
Sloping Invert Channels - MOD125



Specification Clause

ACO Modular 125 sloping invert channels. Overall length and height varies, see tables. Channels made from 16ga (1.5mm) AISI 304 or AISI 316L, pickle passivated finish. Flange connections made from 14ga (2.0mm) AISI 304 or AISI 316L. All channels provided with NBR seal and connection bolts on one side. Number of concrete anchors and adjustable leveling feet varies by channel length. Multiple grate options available.

ACO recommends checking local plumbing codes prior to installation.



Part No.	Material	Height (H1) in (mm)	Height (H2) in (mm)	Length (L) in (mm)
105151	AISI 304	1.97 (50)	2.56 (65)	19.69 (500)
105152	AISI 304	2.56 (65)	3.15 (80)	19.69 (500)
142726	AISI 304	3.15 (80)	3.74 (95)	19.69 (500)
142727	AISI 304	3.74 (95)	4.33 (110)	19.69 (500)
105155	AISI 304	1.97 (50)	2.56 (65)	39.37 (1000)
105156	AISI 304	2.56 (65)	3.15 (80)	39.37 (1000)
105157	AISI 304	3.15 (80)	3.74 (95)	39.37 (1000)
105158	AISI 304	3.74 (95)	4.33 (110)	39.37 (1000)
105161	AISI 304	1.97 (50)	2.56 (65)	78.74 (2000)
105162	AISI 304	2.56 (65)	3.15 (80)	78.74 (2000)
105163	AISI 304	3.15 (80)	3.74 (95)	78.74 (2000)
105164	AISI 304	3.74 (95)	4.33 (110)	78.74 (2000)
105165	AISI 304	4.33 (110)	4.92 (125)	78.74 (2000)
105168	AISI 304	1.97 (50)	2.56 (65)	118.11 (3000)
105169	AISI 304	2.56 (65)	3.15 (80)	118.11 (3000)
105170	AISI 304	3.15 (80)	3.74 (95)	118.11 (3000)
105171	AISI 304	3.74 (95)	4.33 (110)	118.11 (3000)
105172	AISI 304	4.33 (110)	4.92 (125)	118.11 (3000)

Part No.	Material	Height (H1) in (mm)	Height (H2) in (mm)	Length (L) in (mm)
407235	AISI 316L	1.97 (50)	2.56 (65)	19.69 (500)
407236	AISI 316L	2.56 (65)	3.15 (80)	19.69 (500)
142686	AISI 316L	3.15 (80)	3.74 (95)	19.69 (500)
142687	AISI 316L	3.74 (95)	4.33 (110)	19.69 (500)
407237	AISI 316L	1.97 (50)	2.56 (65)	39.37 (1000)
407238	AISI 316L	2.56 (65)	3.15 (80)	39.37 (1000)
407239	AISI 316L	3.15 (80)	3.74 (95)	39.37 (1000)
407240	AISI 316L	3.74 (95)	4.33 (110)	39.37 (1000)
407241	AISI 316L	1.97 (50)	2.56 (65)	78.74 (2000)
407242	AISI 316L	2.56 (65)	3.15 (80)	78.74 (2000)
407243	AISI 316L	3.15 (80)	3.74 (95)	78.74 (2000)
407244	AISI 316L	3.74 (95)	4.33 (110)	78.74 (2000)
407245	AISI 316L	4.33 (110)	4.92 (125)	78.74 (2000)
407246	AISI 316L	1.97 (50)	2.56 (65)	118.11 (3000)
407247	AISI 316L	2.56 (65)	3.15 (80)	118.11 (3000)
407248	AISI 316L	3.15 (80)	3.74 (95)	118.11 (3000)
407249	AISI 316L	3.74 (95)	4.33 (110)	118.11 (3000)
407250	AISI 316L	4.33 (110)	4.92 (125)	118.11 (3000)

ACO, Inc.

West Sales Office
825 W. Beechcraft Street
Casa Grande, AZ 85122
Tel: (520) 421-9988
Toll-Free: (888) 490-9552
Fax: (520) 421-9899

Northeast Sales Office
9470 Pinecone Drive
Mentor, OH 44060
Tel: (440) 639-7230
Toll-Free: (800) 543-4764
Fax: (440) 639-7235

Southeast Sales Office
4211 Pleasant Road
Fort Mill, SC 29708
Toll-Free: (800) 543-4764
Fax: (803) 802-1063

info@acousa.com
www.acousa.com

© August 2021 ACO, Inc.

All reasonable care has been taken in compiling the information in this document. All recommendations and suggestions on the use of ACO products are made without guarantee since the conditions of use are beyond the control of the company. It is the customer's responsibility to ensure that each product is fit for its intended purpose and that the actual conditions of use are suitable. ACO, Inc. reserves the right to change products and specifications without notice.

ACO. creating the future of drainage



ACO Specification Information