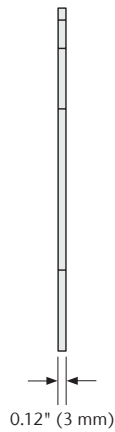
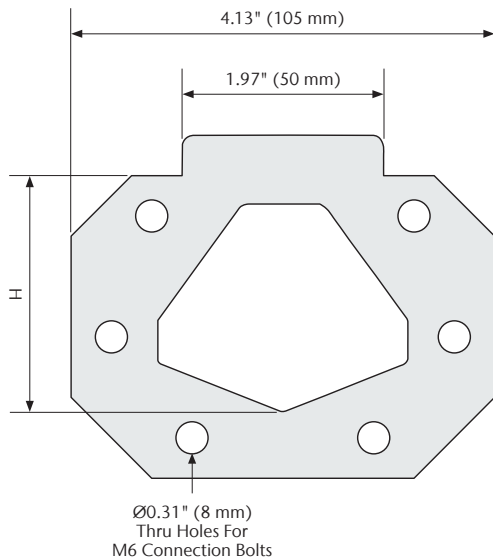
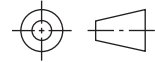


Rubber End Seals - SlotDrain 20



**Specification Clause**

ACO SlotDrain 20 end seals. Overall width 4.13", total height varies - see tables. Made from NBR. Other materials available upon request. All seals provided with connection bolts. Used on ACO Slot 20 channels.

ACO recommends checking local plumbing codes prior to installation.

Parts	Part No.	Material	Height (H) in (mm)	Weight lbs
Rubber End Seals	<b>413601</b>	NBR	2.76 (70)	0.3
	<b>413602</b>	NBR	2.95 (75)	0.3
	<b>413603</b>	NBR	3.15 (80)	0.3
	<b>413604</b>	NBR	3.54 (90)	0.3
	<b>413605</b>	NBR	3.94 (100)	0.3
	<b>413606</b>	NBR	4.33 (110)	0.3
	<b>413607</b>	NBR	4.72 (120)	0.3

**ACO, Inc.**

West Sales Office  
 825 W. Beechcraft Street  
 Casa Grande, AZ 85122  
 Tel: (520) 421-9988  
 Toll-Free: (888) 490-9552  
 Fax: (520) 421-9899

Northeast Sales Office  
 9470 Pinecone Drive  
 Mentor, OH 44060  
 Tel: (440) 639-7230  
 Toll-Free: (800) 543-4764  
 Fax: (440) 639-7235

Southeast Sales Office  
 4211 Pleasant Road  
 Fort Mill, SC 29708  
 Toll-Free: (800) 543-4764  
 Fax: (803) 802-1063

info@acousa.com  
 www.acousa.com

© December 2021 ACO, Inc.  
 All reasonable care has been taken in compiling the information in this document. All recommendations and suggestions on the use of ACO products are made without guarantee since the conditions of use are beyond the control of the company. It is the customer's responsibility to ensure that each product is fit for its intended purpose and that the actual conditions of use are suitable. ACO, Inc. reserves the right to change products and specifications without notice.

ACO. creating the future of drainage



ACO Specification Information