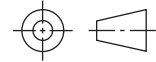
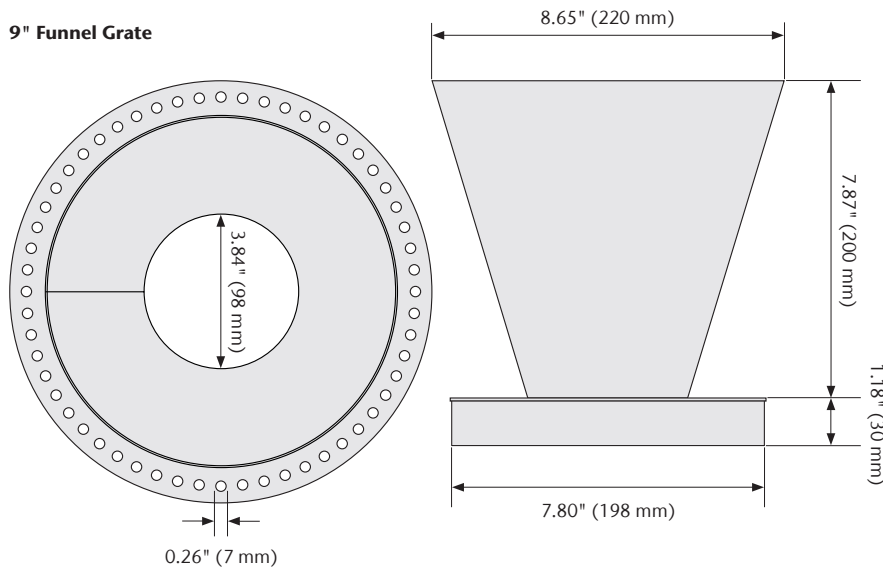


FloorDrain - Funnel Grate

9" Funnel Grate

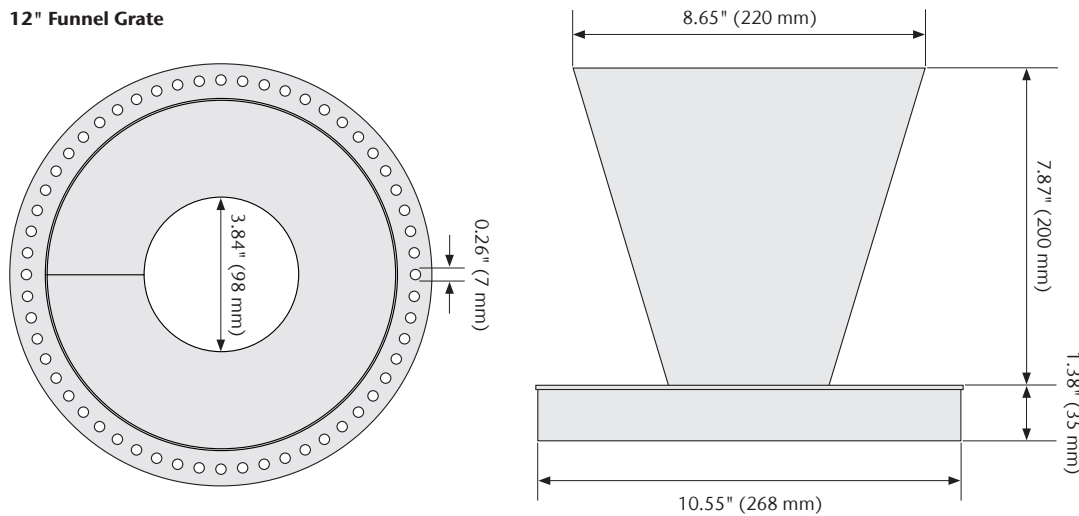


Specification Clause

Used with ACO Round Floor Drains for direct equipment discharge. Made from AISI 304 or AISI 316L.

ACO recommends checking local plumbing codes prior to installation.

12" Funnel Grate



Parts

	Part No.	Grate Material	EN1253 Load Class	Weight lbs	ASME Load Class
9" Funnel Grate	140157	AISI 304	L15	3.8	Light Duty
	140158	AISI 316L	L15	3.8	Light Duty
12" Funnel Grate	140147	AISI 304	L15	5.0	Light Duty
	140152	AISI 316L	L15	5.0	Light Duty

ACO, Inc.

West Sales Office
825 W. Beechcraft Street
Casa Grande, AZ 85122
Tel: (520) 421-9988
Toll-Free: (888) 490-9552
Fax: (520) 421-9899

Northeast Sales Office
9470 Pinecone Drive
Mentor, OH 44060
Tel: (440) 639-7230
Toll-Free: (800) 543-4764
Fax: (440) 639-7235

Southeast Sales Office
4211 Pleasant Road
Fort Mill, SC 29708
Toll-Free: (800) 543-4764
Fax: (803) 802-1063

info@acousa.com
www.acousa.com

© February 2021 ACO, Inc.

All reasonable care has been taken in compiling the information in this document. All recommendations and suggestions on the use of ACO products are made without guarantee since the conditions of use are beyond the control of the company. It is the customer's responsibility to ensure that each product is fit for its intended purpose and that the actual conditions of use are suitable. ACO, Inc. reserves the right to change products and specifications without notice.

ACO. creating the future of drainage

