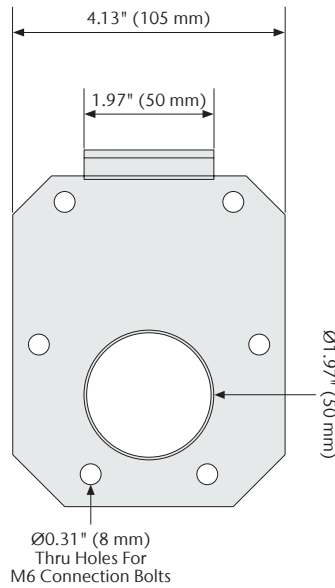
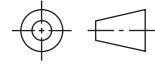


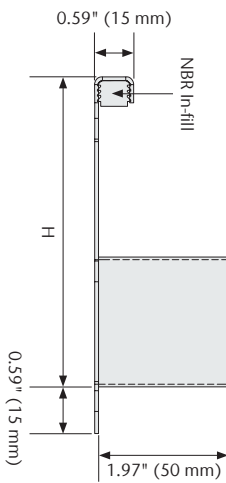
Outlet End Cap - SlotDrain 20



**Specification Clause**

ACO SlotDrain 20 outlet end caps. Overall width 4.13", total height varies - see tables. Made from 16ga (1.5 mm) AISI 304 or AISI 316L, pickle passivated finish. All caps provided with NBR seal and connection bolts. Used on ACO Slot 20 channels.

ACO recommends checking local plumbing codes prior to installation.



Part No.	Material	Height (H) in (mm)	Weight lbs.	Part No.	Material	Height (H) in (mm)	Weight lbs.
92335	AISI 304	3.94 (100)	0.8	92385	AISI 316L	3.94 (100)	0.8
92336	AISI 304	4.33 (110)	0.9	92386	AISI 316L	4.33 (110)	0.9
92337	AISI 304	4.72 (120)	1.0	92387	AISI 316L	4.72 (120)	1.0

ACO, Inc.

West Sales Office  
 825 W. Beechcraft Street  
 Casa Grande, AZ 85122  
 Tel: (520) 421-9988  
 Toll-Free: (888) 490-9552  
 Fax: (520) 421-9899

Northeast Sales Office  
 9470 Pinecone Drive  
 Mentor, OH 44060  
 Tel: (440) 639-7230  
 Toll-Free: (800) 543-4764  
 Fax: (440) 639-7235

Southeast Sales Office  
 4211 Pleasant Road  
 Fort Mill, SC 29708  
 Toll-Free: (800) 543-4764  
 Fax: (803) 802-1063

info@acousa.com  
 www.acousa.com

© December 2021 ACO, Inc.  
 All reasonable care has been taken in compiling the information in this document. All recommendations and suggestions on the use of ACO products are made without guarantee since the conditions of use are beyond the control of the company. It is the customer's responsibility to ensure that each product is fit for its intended purpose and that the actual conditions of use are suitable. ACO, Inc. reserves the right to change products and specifications without notice.

