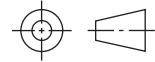
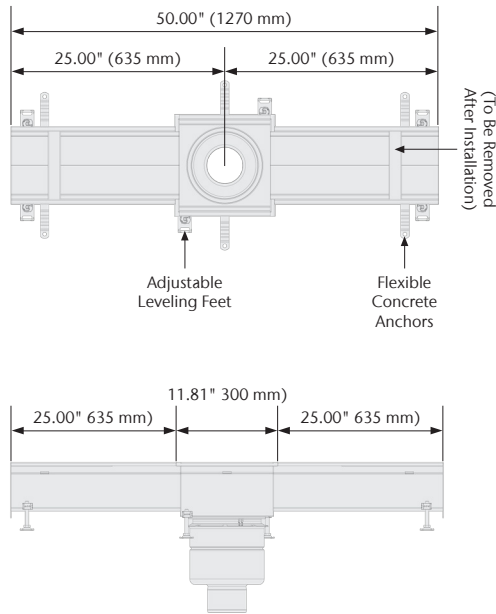


D200 Outlet Channels - MOD200

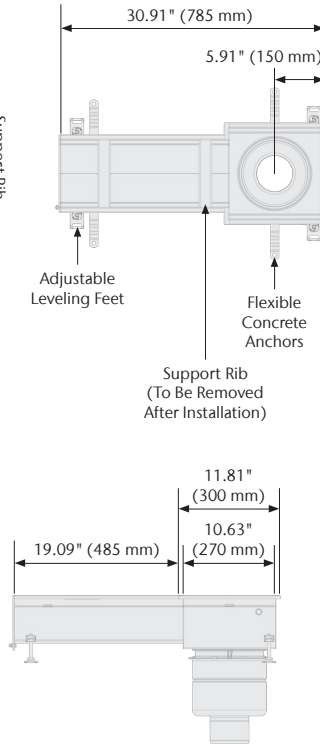


Center Outlet Channels



Grates Needed:
2 x 19.69" (500 mm) MOD200 Grates
1 x 12" Floor Drain Grate

End Outlet Channels



Grates Needed:
1 x 19.69" (500 mm) MOD200 Grates
1 x 12" Floor Drain Grate

Specification Clause

ACO Modular 200 outlet channels. Overall height varies, see tables. Used with ACO 12" Floor Drains and 12" Floor Drain grates. Made from 16ga (1.5 mm) AISI 304 or AISI 316L, pickle passivated finish. All channels provided with NBR seal and connection bolts on one side. Multiple grate options available.

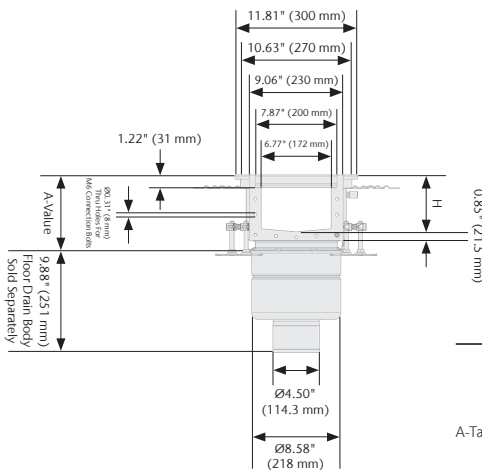
ACO recommends checking local plumbing codes prior to installation.

Parts

Part No.	H in (mm)	Material	Weight (lbs)
414243	2.36 (60)	AISI 304	17.0
414244	2.76 (70)	AISI 304	17.6
414245	3.15 (80)	AISI 304	18.3
414246	3.54 (90)	AISI 304	19.2
414247	3.94 (100)	AISI 304	19.8
414248	4.33 (110)	AISI 304	20.7
414249	4.72 (120)	AISI 304	21.6
414250	5.51 (140)	AISI 304	22.7
Center Outlet Channels			
414251	2.36 (60)	AISI 316L	17.0
414252	2.76 (70)	AISI 316L	17.6
414253	3.15 (80)	AISI 316L	18.3
414254	3.54 (90)	AISI 316L	19.2
414255	3.94 (100)	AISI 316L	19.8
414256	4.33 (110)	AISI 316L	20.7
414257	4.72 (120)	AISI 316L	21.6
414258	5.51 (140)	AISI 316L	22.7

Parts

Part No.	H in (mm)	Material	Weight (lbs)
414259	2.36 (60)	AISI 304	11.2
414260	2.76 (70)	AISI 304	11.9
414261	3.15 (80)	AISI 304	12.4
414262	3.54 (90)	AISI 304	12.8
414263	3.94 (100)	AISI 304	13.5
414264	4.33 (110)	AISI 304	13.9
414265	4.72 (120)	AISI 304	14.6
414266	5.51 (140)	AISI 304	15.4
End Outlet Channels			
414267	2.36 (60)	AISI 316L	11.2
414268	2.76 (70)	AISI 316L	11.9
414269	3.15 (80)	AISI 316L	12.4
414270	3.54 (90)	AISI 316L	12.8
414271	3.94 (100)	AISI 316L	13.5
414272	4.33 (110)	AISI 316L	13.9
414273	4.72 (120)	AISI 316L	14.6
414274	5.51 (140)	AISI 316L	15.4



Invert Depths in (mm)	A-Value
2.36 (60)	A = 3.50 - 4.61 (89-117)
2.76 (70)	A = 3.90 - 5.00 (99-127)
3.15 (80)	A = 4.29 - 5.39 (109-137)
3.54 (90)	A = 4.69 - 5.79 (119-147)
3.94 (100)	A = 5.08 - 6.18 (129-157)
4.33 (110)	A = 5.47 - 6.57 (139-167)
4.72 (120)	A = 5.87 - 6.97 (149-177)*
5.51 (140)	A = 6.65 - 7.76 (169-197)

*Most Common
Note: Using mechanical clamping flange
minimum installation value increase by 0.31" (8 mm)

ACO, Inc.

West Sales Office
825 W. Beechcraft Street
Casa Grande, AZ 85122
Tel: (520) 421-9988
Toll-Free: (888) 490-9552
Fax: (520) 421-9899

Northeast Sales Office
9470 Pinecone Drive
Mentor, OH 44060
Tel: (440) 639-7230
Toll-Free: (800) 543-4764
Fax: (440) 639-7235

Southeast Sales Office
4211 Pleasant Road
Fort Mill, SC 29708
Toll-Free: (800) 543-4764
Fax: (803) 802-1063

info@acousa.com
www.acousa.com

© December 2021 ACO, Inc.

All reasonable care has been taken in compiling the information in this document. All recommendations and suggestions on the use of ACO products are made without guarantee since the conditions of use are beyond the control of the company. It is the customer's responsibility to ensure that each product is fit for its intended purpose and that the actual conditions of use are suitable. ACO, Inc. reserves the right to change products and specifications without notice.

ACO. creating the future of drainage



ACO Specification Information