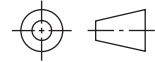
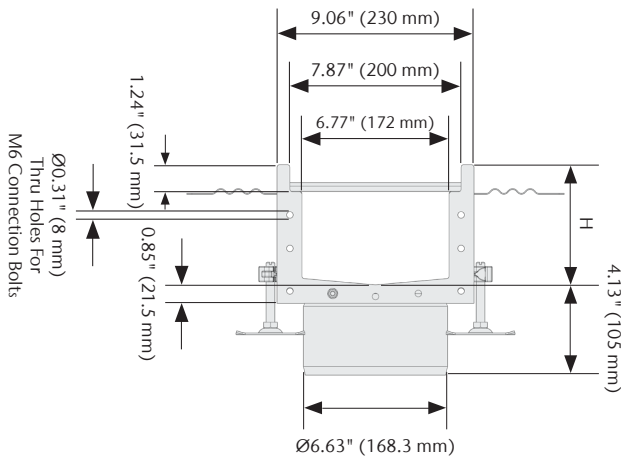
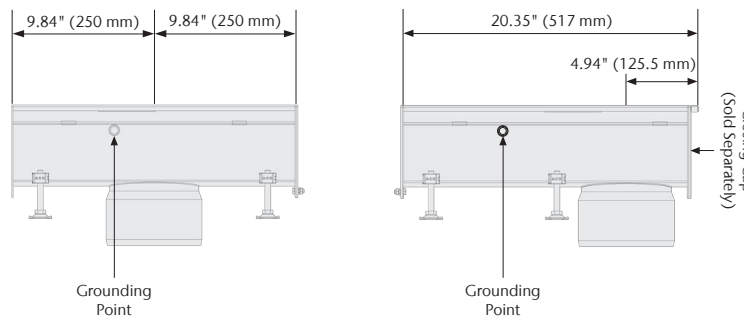
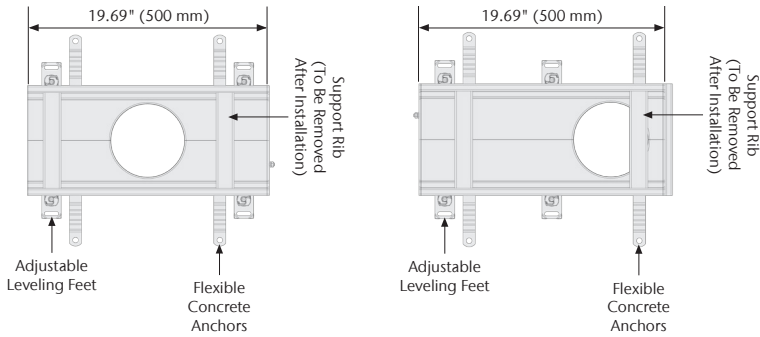


# 6" D168 Outlet Channels - MOD200



Center Outlet Channels

End Outlet Channels



### Specification Clause

ACO Modular 200 outlet channels, 6". Overall height varies, see tables. Made from 16ga (1.5mm) AISI 304 or AISI 316L, pickle passivated finish. All channels provided with NBR seal and connection bolts on one side. Multiple grate options available.

ACO recommends checking local plumbing codes prior to installation.

Parts	Part No.	Material	Height (H) in (mm)	Weight (lbs)
	445429	AISI 304	3.15 (80)	8.4
	445430	AISI 304	3.54 (90)	8.6
	445431	AISI 304	3.94 (100)	9.0
	445432	AISI 304	4.33 (110)	9.2
	445433	AISI 304	4.72 (120)	9.5
	445434	AISI 304	5.51 (140)	10.1
Center Outlet Channels				
	445435	AISI 316L	3.15 (80)	8.4
	445436	AISI 316L	3.54 (90)	8.6
	445437	AISI 316L	3.94 (100)	9.0
	445438	AISI 316L	4.33 (110)	9.2
	445439	AISI 316L	4.72 (120)	9.5
	445440	AISI 316L	5.51 (140)	10.1

Parts	Part No.	Material	Height (H) in (mm)	Weight (lbs)
	445417	AISI 304	3.15 (80)	8.4
	445418	AISI 304	3.54 (90)	8.6
	445419	AISI 304	3.94 (100)	9.0
	445420	AISI 304	4.33 (110)	9.2
	445421	AISI 304	4.72 (120)	9.5
	445422	AISI 304	5.51 (140)	10.1
End Outlet Channels				
	445423	AISI 316L	3.15 (80)	8.4
	445424	AISI 316L	3.54 (90)	8.6
	445425	AISI 316L	3.94 (100)	9.0
	445426	AISI 316L	4.33 (110)	9.2
	445427	AISI 316L	4.72 (120)	9.5
	445428	AISI 316L	5.51 (140)	10.1

## ACO, Inc.

West Sales Office  
825 W. Beechcraft Street  
Casa Grande, AZ 85122  
Tel: (520) 421-9988  
Toll-Free: (888) 490-9552  
Fax: (520) 421-9899

Northeast Sales Office  
9470 Pinecone Drive  
Mentor, OH 44060  
Tel: (440) 639-7230  
Toll-Free: (800) 543-4764  
Fax: (440) 639-7235

Southeast Sales Office  
4211 Pleasant Road  
Fort Mill, SC 29708  
Toll-Free: (800) 543-4764  
Fax: (803) 802-1063

info@acousa.com  
www.acousa.com

©December 2021 ACO, Inc.

All reasonable care has been taken in compiling the information in this document. All recommendations and suggestions on the use of ACO products are made without guarantee since the conditions of use are beyond the control of the company. It is the customer's responsibility to ensure that each product is fit for its intended purpose and that the actual conditions of use are suitable. ACO, Inc. reserves the right to change products and specifications without notice.

ACO. creating  
the future of drainage

