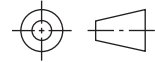
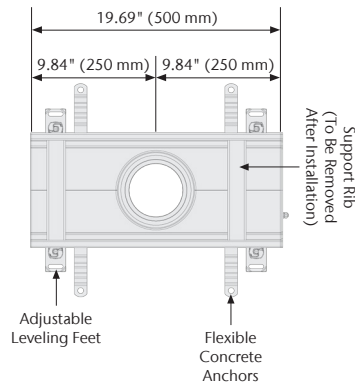


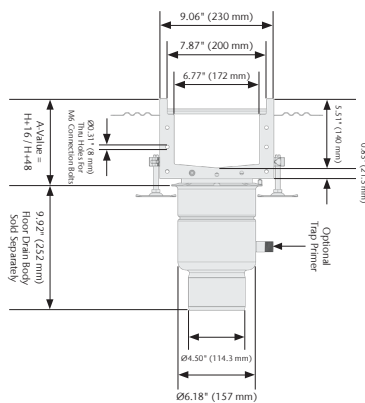
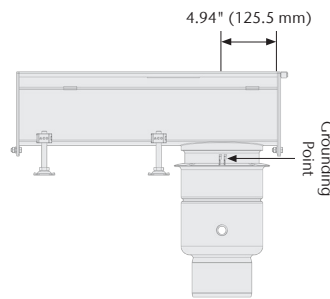
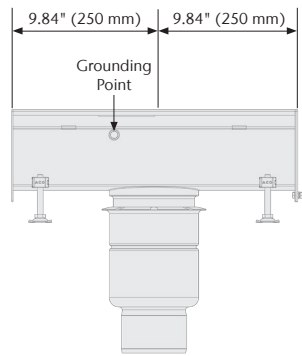
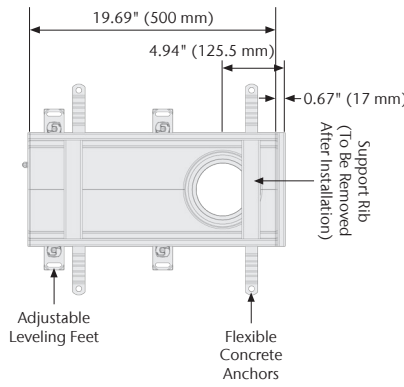
D142 Outlet Channels - MOD200



Center Outlet Channels



End Outlet Channels



Invert Depths in (mm)	A-Value
2.36 (60)	A = 2.99 - 4.25 (76-108)
2.76 (70)	A = 3.39 - 4.65 (86-118)
3.15 (80)	A = 3.78 - 5.04 (96-128)
3.54 (90)	A = 4.17 - 5.43 (106-138)
3.94 (100)	A = 4.57 - 5.83 (116-148)
4.72 (120)	A = 5.35 - 6.61 (136-168)*
5.51 (140)	A = 6.14 - 7.40 (156-188)

A-Table

*Most Common
 Note: Using mechanical clamping flange
 minimum installation value increase by 0.31" (8 mm)

Specification Clause

ACO Modular 200 outlet channels. Overall height varies, see tables. Used with ACO 10" Floor Drains. Channels made from 16ga (1.5mm) AISI 304 or AISI 316L, pickle passivated finish. All channels provided with NBR seal and connection bolts on one side. Multiple grate options available.

ACO recommends checking local plumbing codes prior to installation.

Parts	Part No.	Material	Weight (lbs)
Center Outlet Channels	409916	AISI 304	7.1
	409917	AISI 304	7.9
	409918	AISI 304	8.4
	409919	AISI 304	8.6
	409920	AISI 304	9.0
	409921	AISI 304	9.3
	409922	AISI 304	9.5
	409923	AISI 304	10.1
	409924	AISI 316L	7.1
	409925	AISI 316L	7.9
	409926	AISI 316L	8.4
	409927	AISI 316L	8.6
	409928	AISI 316L	9.0
	409929	AISI 316L	9.3
409930	AISI 316L	9.5	
409931	AISI 316L	10.1	

Parts	Part No.	Material	Weight (lbs)
End Outlet Channels	409900	AISI 304	7.1
	409901	AISI 304	7.9
	409902	AISI 304	8.4
	409903	AISI 304	8.6
	409904	AISI 304	9.0
	409905	AISI 304	9.3
	409906	AISI 304	9.5
	409907	AISI 304	10.1
	409908	AISI 316L	7.1
	409909	AISI 316L	7.9
	409910	AISI 316L	8.4
	409911	AISI 316L	8.6
	409912	AISI 316L	9.0
	409913	AISI 316L	9.3
409914	AISI 316L	9.5	
409915	AISI 316L	10.1	

ACO, Inc.

West Sales Office
 825 W. Beechcraft Street
 Casa Grande, AZ 85122
 Tel: (520) 421-9988
 Toll-Free: (888) 490-9552
 Fax: (520) 421-9899

Northeast Sales Office
 9470 Pinecone Drive
 Mentor, OH 44060
 Tel: (440) 639-7230
 Toll-Free: (800) 543-4764
 Fax: (440) 639-7235

Southeast Sales Office
 4211 Pleasant Road
 Fort Mill, SC 29708
 Toll-Free: (800) 543-4764
 Fax: (803) 802-1063

info@acousa.com
 www.acousa.com

© December 2021 ACO, Inc.

All reasonable care has been taken in compiling the information in this document. All recommendations and suggestions on the use of ACO products are made without guarantee since the conditions of use are beyond the control of the company. It is the customer's responsibility to ensure that each product is fit for its intended purpose and that the actual conditions of use are suitable. ACO, Inc. reserves the right to change products and specifications without notice.

ACO. creating
 the future of drainage



ACO Specification Information