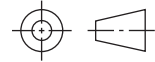
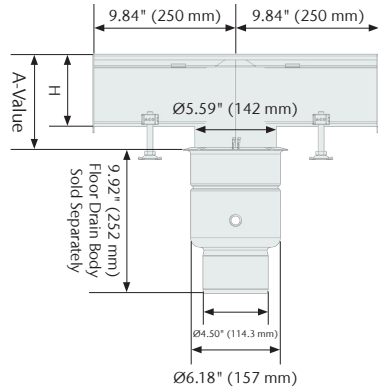
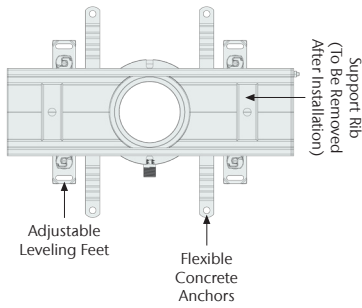


D142 Outlet Channels - MOD125

Center Outlet Channels



Specification Clause

ACO Modular 125 outlet channels. Overall height varies, see tables. Used with ACO 10" Floor Drains. Channels made from 16ga (1.5mm) AISI 304 or AISI 316L, pickle passivated finish. All channels provided with NBR seal and connection bolts on one side. Multiple grate options available.

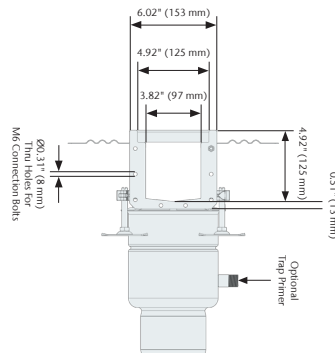
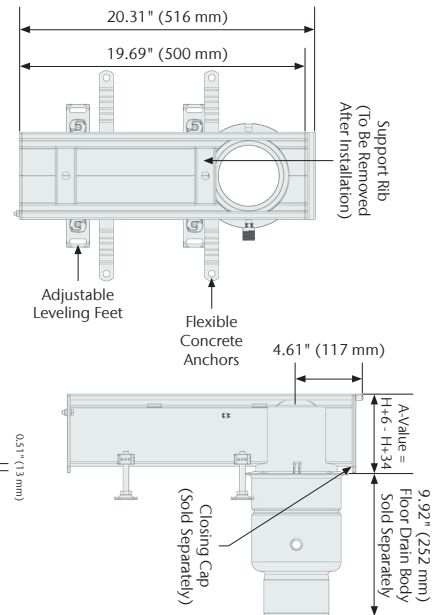
ACO recommends checking local plumbing codes prior to installation.

Height in (mm)	A-Value
<b>H1.97 (50)</b>	A = 2.20 - 3.31 (56-84)
<b>H2.56 (65)</b>	A = 2.80 - 3.90 (71-99)
<b>H3.15 (80)</b>	A = 3.39 - 4.49 (86-114)
<b>H3.74 (95)</b>	A = 3.98 - 5.08 (101-129)
<b>H4.33 (110)</b>	A = 4.57 - 5.67 (116-144)
<b>H4.92 (125)</b>	A = 5.16 - 6.26 (131-159)*

A-Table

\*Most Common  
Note: Using mechanical clamping flange minimum installation value increase by 0.31" (8 mm)

End Outlet Channels



Parts	Part No.	Material	Height (H) in (mm)	Length (L) in (mm)
Center Outlet Channels	<b>409734</b>	AISI 304	1.97 (50)	19.69 (500)
	<b>409738</b>	AISI 304	2.56 (65)	19.69 (500)
	<b>409742</b>	AISI 304	3.15 (80)	19.69 (500)
	<b>409746</b>	AISI 304	3.74 (95)	19.69 (500)
	<b>409726</b>	AISI 304	4.33 (110)	19.69 (500)
	<b>409730</b>	AISI 304	4.92 (125)	19.69 (500)
	<b>409735</b>	AISI 316L	1.97 (50)	19.69 (500)
	<b>409739</b>	AISI 316L	2.56 (65)	19.69 (500)
	<b>409743</b>	AISI 316L	3.15 (80)	19.69 (500)
	<b>409747</b>	AISI 316L	3.74 (95)	19.69 (500)
	<b>409727</b>	AISI 316L	4.33 (110)	19.69 (500)
	<b>409731</b>	AISI 316L	4.92 (125)	19.69 (500)

Parts	Part No.	Material	Height (H) in (mm)	Length (L) in (mm)
End Outlet Channels	<b>409732</b>	AISI 304	1.97 (50)	19.69 (500)
	<b>409736</b>	AISI 304	2.56 (65)	19.69 (500)
	<b>409740</b>	AISI 304	3.15 (80)	19.69 (500)
	<b>409744</b>	AISI 304	3.74 (95)	19.69 (500)
	<b>409724</b>	AISI 304	4.33 (110)	19.69 (500)
	<b>409728</b>	AISI 304	4.92 (125)	19.69 (500)
	<b>409733</b>	AISI 316L	1.97 (50)	19.69 (500)
	<b>409737</b>	AISI 316L	2.56 (65)	19.69 (500)
	<b>409741</b>	AISI 316L	3.15 (80)	19.69 (500)
	<b>409745</b>	AISI 316L	3.74 (95)	19.69 (500)
	<b>409725</b>	AISI 316L	4.33 (110)	19.69 (500)
	<b>409729</b>	AISI 316L	4.92 (125)	19.69 (500)

ACO, Inc.

West Sales Office  
825 W. Beechcraft Street  
Casa Grande, AZ 85122  
Tel: (520) 421-9988  
Toll-Free: (888) 490-9552  
Fax: (520) 421-9899

Northeast Sales Office  
9470 Pinecone Drive  
Mentor, OH 44060  
Tel: (440) 639-7230  
Toll-Free: (800) 543-4764  
Fax: (440) 639-7235

Southeast Sales Office  
4211 Pleasant Road  
Fort Mill, SC 29708  
Toll-Free: (800) 543-4764  
Fax: (803) 802-1063

info@acousa.com  
www.acousa.com

© November 2021 ACO, Inc.

All reasonable care has been taken in compiling the information in this document. All recommendations and suggestions on the use of ACO products are made without guarantee since the conditions of use are beyond the control of the company. It is the customer's responsibility to ensure that each product is fit for its intended purpose and that the actual conditions of use are suitable. ACO, Inc. reserves the right to change products and specifications without notice.

ACO. creating the future of drainage



ACO Specification Information