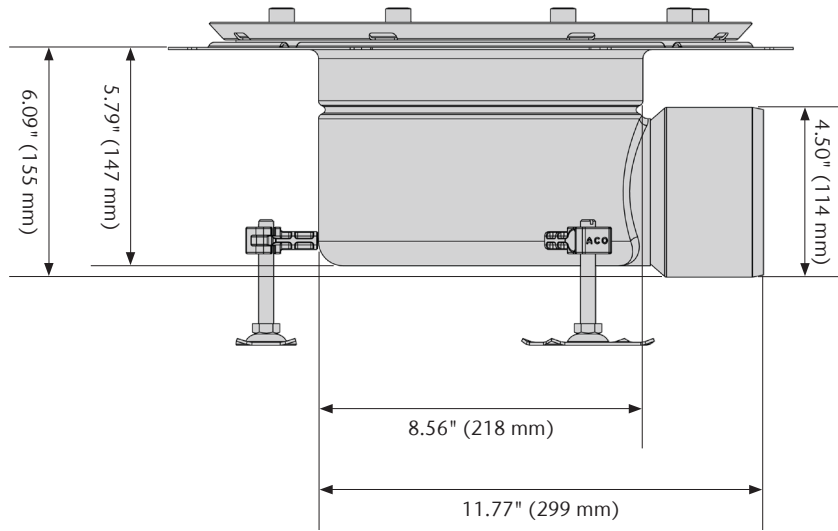
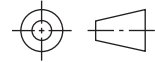


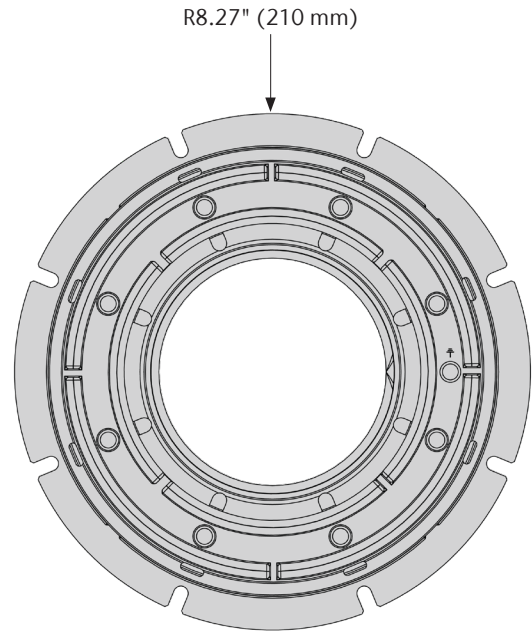
Hygienic Floor Drain, 12" Adjustable - Mech. Clamping Flange, 4" Horizontal Outlet



**Specification Clause**

ACO 12" Hygienic Floor Drain with 4" horizontal outlet. Made from AISI 304 or AISI 316L. Uses ACO 12" Hygienic Floor Top. Flow Rates calculated from maximum and minimum height positions. Certified to NSF/ANSI/3-A Standard 14159-1.

ACO recommends checking local plumbing codes prior to installation.



Parts	Part No.	Material	Weight lbs.	Flow Rate GPM*
Hygienic Floor Drain, 12" Adjustable - Mech.	<b>445163</b>	AISI 304	12.2	117 / 128
Clamping Flange with 4" Horizontal Outlet	<b>445229</b>	AISI 316L	12.2	117 / 128

**ACO, Inc.**

West Sales Office 825 W. Beechcraft Street Casa Grande, AZ 85122 Tel: (520) 421-9988 Toll-Free: (888) 490-9552 Fax: (520) 421-9899	Northeast Sales Office 9470 Pinecone Drive Mentor, OH 44060 Tel: (440) 639-7230 Toll-Free: (800) 543-4764 Fax: (440) 639-7235	Southeast Sales Office 4211 Pleasant Road Fort Mill, SC 29708 Toll-Free: (800) 543-4764 Fax: (803) 802-1063	info@acousa.com www.acousa.com
---	--	---	-----------------------------------

© June 2021 ACO, Inc.  
All reasonable care has been taken in compiling the information in this document. All recommendations and suggestions on the use of ACO products are made without guarantee since the conditions of use are beyond the control of the company. It is the customer's responsibility to ensure that each product is fit for its intended purpose and that the actual conditions of use are suitable. ACO, Inc. reserves the right to change products and specifications without notice.

ACO. creating the future of drainage



ACO Specification Information