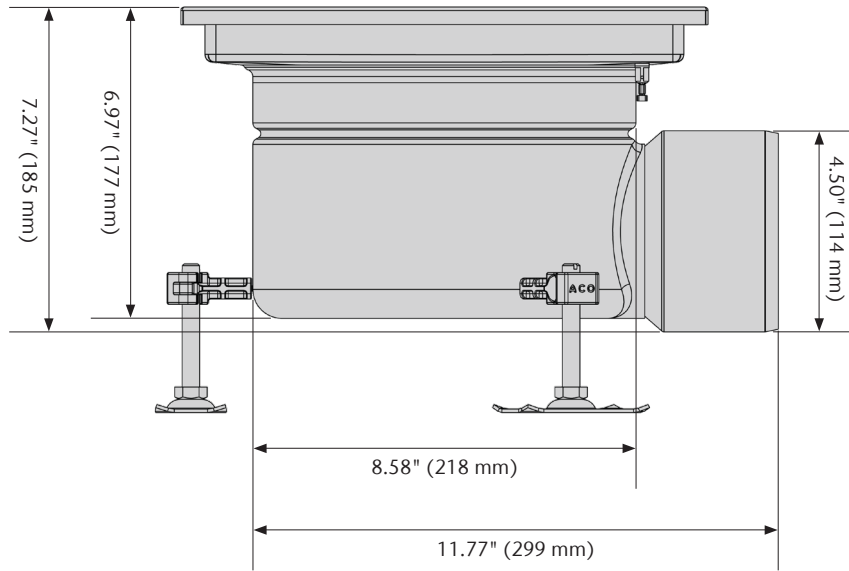
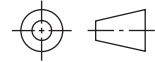


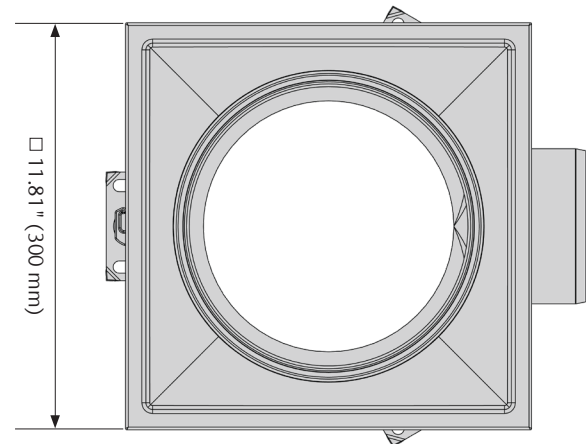
Hygienic Floor Drain, 12" Fixed Height, 4" Horizontal Outlet



Specification Clause

ACO 12" Hygienic Floor Drain with 4" horizontal outlet. Made from AISI 304 or AISI 316L. Certified to NSF/ANSI/3-A Standard 14159-1.

ACO recommends checking local plumbing codes prior to installation.



Parts	Part No.	Material	Weight lbs.	Flow Rate GPM*
Hygienic Floor Drain, 12" Fixed Height with 4" Horizontal Outlet	445112	AISI 304	8.7	112
	445178	AISI 316L	8.7	112

ACO, Inc.

West Sales Office
 825 W. Beechcraft Street
 Casa Grande, AZ 85122
 Tel: (520) 421-9988
 Toll-Free: (888) 490-9552
 Fax: (520) 421-9899

Northeast Sales Office
 9470 Pinecone Drive
 Mentor, OH 44060
 Tel: (440) 639-7230
 Toll-Free: (800) 543-4764
 Fax: (440) 639-7235

Southeast Sales Office
 4211 Pleasant Road
 Fort Mill, SC 29708
 Toll-Free: (800) 543-4764
 Fax: (803) 802-1063

info@acousa.com
 www.acousa.com

© May 2021 ACO, Inc.
 All reasonable care has been taken in compiling the information in this document. All recommendations and suggestions on the use of ACO products are made without guarantee since the conditions of use are beyond the control of the company. It is the customer's responsibility to ensure that each product is fit for its intended purpose and that the actual conditions of use are suitable. ACO, Inc. reserves the right to change products and specifications without notice.

