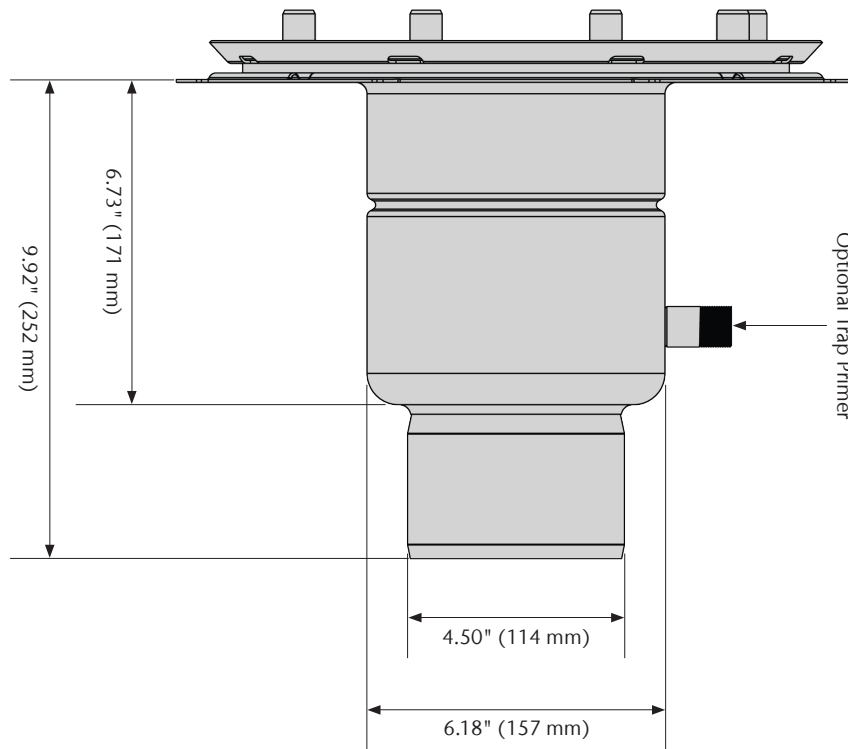
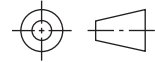


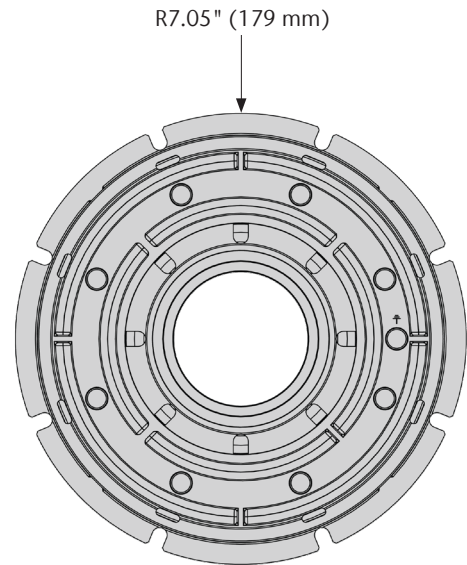
Hygienic Floor Drain, 10" Adjustable - Mech. Clamping Flange, 4" Vertical Outlet



**Specification Clause**

ACO 10" Hygienic Floor Drain with 4" vertical outlet. Made from AISI 304 or AISI 316L. Uses ACO 10" Hygienic Floor Top. Flow Rates calculated from maximum and minimum height positions. Certified to NSF/ANSI/3-A Standard 14159-1.

ACO recommends checking local plumbing codes prior to installation.



**Parts**

	Part No.	Material	Weight lbs.	Flow Rate GPM*
Hygienic Floor Drain, 10" Adjustable - Mech.	<b>445133</b>	AISI 304	10.4	169 / 177
Clamping Flange with 4" Vertical Outlet	<b>445199</b>	AISI 316L	10.4	169 / 177

**ACO, Inc.**

West Sales Office  
825 W. Beechcraft Street  
Casa Grande, AZ 85122  
Tel: (520) 421-9988  
Toll-Free: (888) 490-9552  
Fax: (520) 421-9899

Northeast Sales Office  
9470 Pinecone Drive  
Mentor, OH 44060  
Tel: (440) 639-7230  
Toll-Free: (800) 543-4764  
Fax: (440) 639-7235

Southeast Sales Office  
4211 Pleasant Road  
Fort Mill, SC 29708  
Toll-Free: (800) 543-4764  
Fax: (803) 802-1063

info@acousa.com  
www.acousa.com

© May 2021 ACO, Inc.

All reasonable care has been taken in compiling the information in this document. All recommendations and suggestions on the use of ACO products are made without guarantee since the conditions of use are beyond the control of the company. It is the customer's responsibility to ensure that each product is fit for its intended purpose and that the actual conditions of use are suitable. ACO, Inc. reserves the right to change products and specifications without notice.

ACO. creating  
the future of drainage



ACO Specification Information