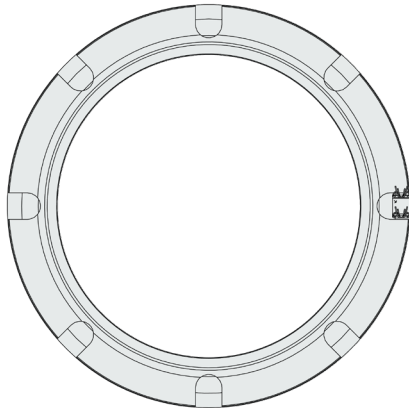
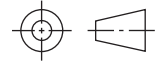


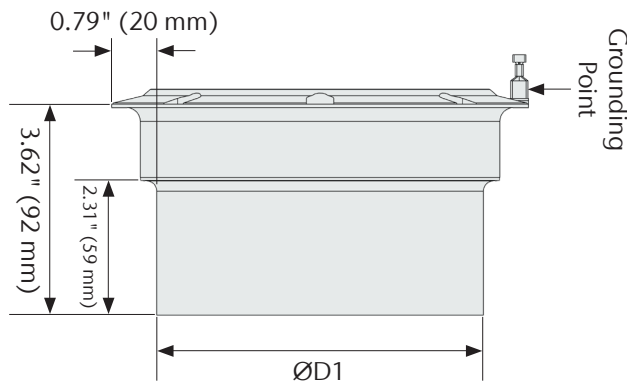
FloorDrain Tops & Bodies - Raising Piece



Specification Clause

ACO FloorDrain Raising Piece. Made from AISI 304 or 316L. Used with ACO Hygienic FloorDrain Top or outlet channel and adjustable FloorDrain Body (adjustable location or mechanical clamping flange). Fully welded hygienic joints with pickled passivated finish. Used to increase the distance between the drain's outlet spigot and the adjustable body from 1" and 3.5". Includes friction ring. Multiple raising pieces can be stacked for increased extension.

ACO recommends checking local plumbing codes prior to installation.



Parts	Part No.	Grate Material	Weight lbs.
8" Raising Piece - (D125) FloorDrain	414736	AISI 304	1.0
	414836	AISI 316L	1.0
10" Raising Piece - (D142) FloorDrain	408249	AISI 304	1.3
	408259	AISI 316L	1.3
12" Raising Piece - (D200) FloorDrain	408209	AISI 304	3.3
	408219	AISI 316L	3.3

ACO, Inc.

West Sales Office
825 W. Beechcraft Street
Casa Grande, AZ 85122
Tel: (520) 421-9988
Toll-Free: (888) 490-9552
Fax: (520) 421-9899

Northeast Sales Office
9470 Pinecone Drive
Mentor, OH 44060
Tel: (440) 639-7230
Toll-Free: (800) 543-4764
Fax: (440) 639-7235

Southeast Sales Office
4211 Pleasant Road
Fort Mill, SC 29708
Toll-Free: (800) 543-4764
Fax: (803) 802-1063

info@acousa.com
www.acousa.com

© January 2022 ACO, Inc.

All reasonable care has been taken in compiling the information in this document. All recommendations and suggestions on the use of ACO products are made without guarantee since the conditions of use are beyond the control of the company. It is the customer's responsibility to ensure that each product is fit for its intended purpose and that the actual conditions of use are suitable. ACO, Inc. reserves the right to change products and specifications without notice.

ACO. creating the future of drainage



ACO Specification Information