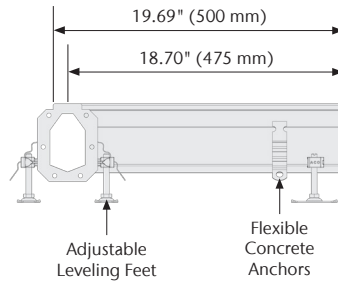
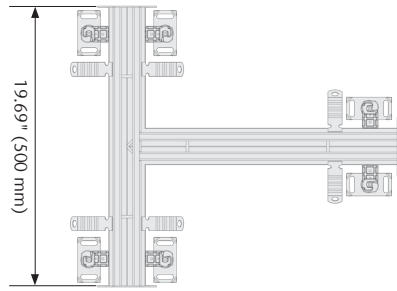
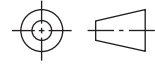


Branch & Corner Unit Channels - SlotDrain 20

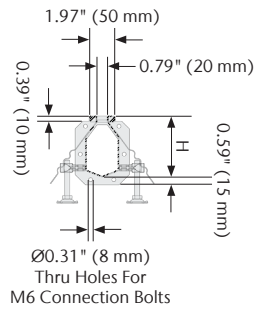
Branch Unit Channels



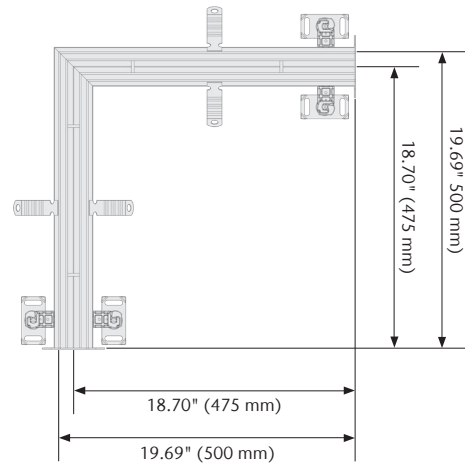
Specification Clause

ACO SlotDrain 20 branch and corner unit channels. Overall height varies, see tables. Channels made from 16ga (1.5 mm) AISI 304 or AISI 316L, pickle passivated finish. All channels provided with NBR seal and connection bolts on one side. Multiple grate options available.

ACO recommends checking local plumbing codes prior to installation.



Corner Unit Channels



Parts	Part No.	Material	Height (H) in (mm)	Weight (lbs)
Branch Unit Channels	92345	AISI 304	2.76 (70)	9.0
	92346	AISI 304	2.95 (75)	9.3
	92347	AISI 304	3.15 (80)	9.5
	92348	AISI 304	3.54 (90)	10.1
	92349	AISI 304	3.94 (100)	10.6
	92400	AISI 304	4.33 (110)	11.2
	92401	AISI 304	4.72 (120)	11.7
	92395	AISI 316L	2.76 (70)	9.0
	92396	AISI 316L	2.95 (75)	9.3
	92397	AISI 316L	3.15 (80)	9.5
92398	AISI 316L	3.54 (90)	10.1	
92399	AISI 316L	3.94 (100)	10.6	
92450	AISI 316L	4.33 (110)	11.2	
92451	AISI 316L	4.72 (120)	11.7	

Parts	Part No.	Material	Height (H) in (mm)	Weight (lbs)
Corner Unit Channels	92338	AISI 304	2.76 (70)	8.4
	92339	AISI 304	2.95 (75)	8.6
	92340	AISI 304	3.15 (80)	8.8
	92341	AISI 304	3.54 (90)	9.3
	92342	AISI 304	3.94 (100)	9.9
	92343	AISI 304	4.33 (110)	10.4
	92344	AISI 304	4.72 (120)	11.0
	92388	AISI 316L	2.76 (70)	8.4
	92389	AISI 316L	2.95 (75)	8.6
	92390	AISI 316L	3.15 (80)	8.8
92391	AISI 316L	3.54 (90)	9.3	
92392	AISI 316L	3.94 (100)	9.9	
92493	AISI 316L	4.33 (110)	10.4	
92494	AISI 316L	4.72 (120)	11.0	

ACO, Inc.

West Sales Office
825 W. Beechcraft Street
Casa Grande, AZ 85122
Tel: (520) 421-9988
Toll-Free: (888) 490-9552
Fax: (520) 421-9899

Northeast Sales Office
9470 Pinecone Drive
Mentor, OH 44060
Tel: (440) 639-7230
Toll-Free: (800) 543-4764
Fax: (440) 639-7235

Southeast Sales Office
4211 Pleasant Road
Fort Mill, SC 29708
Toll-Free: (800) 543-4764
Fax: (803) 802-1063

info@acousa.com
www.acousa.com

© December 2021 ACO, Inc.

All reasonable care has been taken in compiling the information in this document. All recommendations and suggestions on the use of ACO products are made without guarantee since the conditions of use are beyond the control of the company. It is the customer's responsibility to ensure that each product is fit for its intended purpose and that the actual conditions of use are suitable. ACO, Inc. reserves the right to change products and specifications without notice.

ACO. creating the future of drainage

