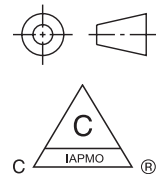
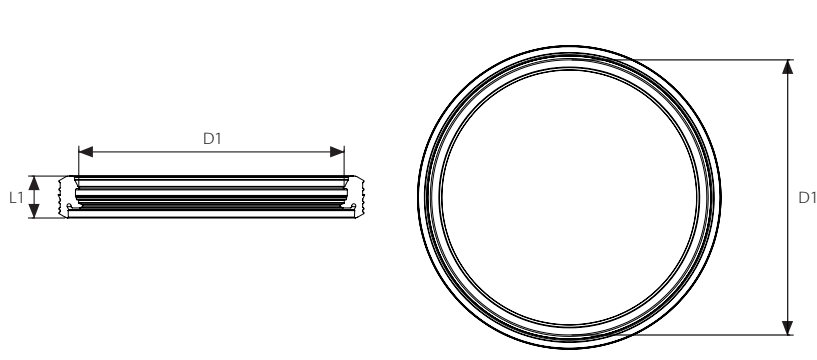


Pipe - Seals



Specifications

General
 Used with ACO Pipe System. EPDM gasket material is default, upgrade to NBR or FPM if default material cannot withstand the temperatures, caustic sodas and liquids used in the facility. Resistant to thermal and dynamic shocks. Non-combustible. Double-lipped seal push-fit connection. Designed for gravity piping system with maximum working pressure of 0.5 bar. Socket clamps also available upon request. Socket clamp can increase maximum operating pressure to 0.7 bar. See pipe brochure for seal installation notes. ACO recommends checking local plumbing codes prior to installation. Manufactured to EN 1124-1 and 1124-2.

Part No.	Length (L1) in (mm)	Diameter (D1) in (mm)	Gasket Material	Pipe Material	Weight lbs
417401	0.52 (13)	1.57 (40)	NBR	316L	0.1
417037	0.57 (15)	1.97 (50)	NBR	316L	0.1
417038	0.65 (17)	2.95 (75)	NBR	316L	0.1
417039	0.69 (17)	4.33 (110)	NBR	316L	0.1
417041	0.70 (18)	4.92 (125)	NBR	316L	0.2
417040	0.71 (18)	6.30 (160)	NBR	316L	0.2
417042	0.74 (19)	7.87 (200)	NBR	316L	0.2
417148	0.82 (21)	9.84 (250)	NBR	316L	0.3
417223	0.82 (21)	12.40 (315)	NBR	316L	0.7

Part No.	Length (L1) in (mm)	Diameter (D1) in (mm)	Gasket Material	Pipe Material	Weight lbs
417400	0.52 (13)	1.57 (40)	EPDM	316L	0.1
98400-BD	0.57 (15)	1.97 (50)	EPDM	316L	0.1
98401-BD	0.65 (17)	2.95 (75)	EPDM	316L	0.1
98402-BD	0.69 (17)	4.33 (110)	EPDM	316L	0.1
419453	0.70 (18)	4.92 (125)	EPDM	316L	0.2
98403-BD	0.71 (18)	6.30 (160)	EPDM	316L	0.2
98433-BD	0.74 (19)	7.87 (200)	EPDM	316L	0.2
417146	0.82 (21)	9.84 (250)	EPDM	316L	0.3
417222	0.82 (21)	12.40 (315)	EPDM	316L	0.7

Part No.	Length (L1) in (mm)	Diameter (D1) in (mm)	Gasket Material	Pipe Material	Weight lbs
417538	0.52 (13)	1.57 (40)	FPM	316L	0.1
98404-BD	0.57 (15)	1.97 (50)	FPM	316L	0.1
98405-BD	0.65 (17)	2.95 (75)	FPM	316L	0.1
98406-BD	0.69 (17)	4.33 (110)	FPM	316L	0.1
419454	0.70 (18)	4.92 (125)	FPM	316L	0.2
98407-BD	0.71 (18)	6.30 (160)	FPM	316L	0.2
98437	0.74 (19)	7.87 (200)	FPM	316L	0.2
417147	0.82 (21)	9.84 (250)	FPM	316L	0.3
417506	0.82 (21)	12.40 (315)	FPM	316L	0.7

ACO, Inc.

West Sales Office info@acousa.com
 825 W. Beechcraft Street www.acousa.com
 Casa Grande, AZ 85122 www.acobuildingdrainage.us
 Tel: (520) 421-9988
 Toll-Free: (888) 490-9552
 Fax: (520) 421-9899

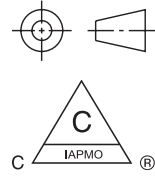
© March 2022 ACO, Inc.
 All reasonable care has been taken in compiling the information in this document. All recommendations and suggestions on the use of ACO products are made without guarantee since the conditions of use are beyond the control of the company. It is the customer's responsibility to ensure that each product is fit for its intended purpose and that the actual conditions of use are suitable. ACO, Inc. reserves the right to change products and specifications without notice.

ACO. creating the future of drainage



ACO Specification Information

Pipe - Seals



Problem		EPDM	NBR	FPM
Water Resistance		Excellent	Good	Good
Chemical Resistance	Acids	Good	Excellent	Excellent
	Bases	Good	Good	Good
Solvent Resistance (68°F)	Alcohol	Good	Good	Good
	Acetone	Good	Unsuitable	Unsuitable
	Benzene	Unsatisfactory	Unsuitable	Good
Oil Resistance	ASTM Oil No. 1 @ 68°F	Fair	Excellent	Excellent
	@ 212°F	Unsatisfactory	302°F Good	302°F Excellent
	ASTM Oil No. 3 @ 68°F	Unsatisfactory	Excellent	Excellent
	@ 212°F	Unsatisfactory	302°F Good	302°F Excellent
Fuel Resistance	ASTM Fuel B	Unsatisfactory	Excellent	Excellent
Resistances	Oxidation	Excellent	Outstanding	Outstanding
	Ozone Weathering	Outstanding	Low	Outstanding
Heat Resistance	Maximum Continuous	266°F	176°F	401°F
	Maximum Intermittent	302°F	212°F	572°F
Low Temperature Resistance		-58°F	-22°F	-4°F
Gas Permeability		Fairly Low	Very Low	Very Low
Physical Strength		Good	Good	Good
Compression Set Resistance		Good	Good	Good
Tear & Abrasion Resistance		Good	Good	Good
Cost Factor (1 = low)		1	2	20

ACO Specification Information

ACO, Inc.

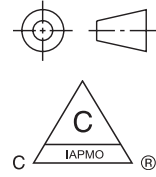
West Sales Office info@acousa.com
 825 W. Beechcraft Street www.acousa.com
 Casa Grande, AZ 85122 www.acobuildingdrainage.us
 Tel: (520) 421-9988
 Toll-Free: (888) 490-9552
 Fax: (520) 421-9899

© March 2022 ACO, Inc.
 All reasonable care has been taken in compiling the information in this document. All recommendations and suggestions on the use of ACO products are made without guarantee since the conditions of use are beyond the control of the company. It is the customer's responsibility to ensure that each product is fit for its intended purpose and that the actual conditions of use are suitable. ACO, Inc. reserves the right to change products and specifications without notice.

ACO. creating the future of drainage



Pipe - Seals



1 = Very good service to operating limit of material
 2 = Moderate service
 3 = Limited or variable service
 4 = Unsatisfactory

	AISI 316L	AISI 304	EPDM	NBR	FPM
Acetone	1	1	1	4	4
Acetic acid (diluted) 30%	1	1	1	2	2
Acetic acid 100%	1	1	1	3	3
Acetic acid anhydride	1	1	2	3	4
Aluminium chloride	4	4	1	1	1
Aluminium sulfate	1	4	1	1	1
Ammonium carbonate	1	1	1	4	-
Ammonium chloride	2	3	1	1	-
Ammonium hydroxide	1	1	1	4	2
Amyl chloride	1	1	-	-	-
Anilin	1	1	2	4	3
Anilin hydrochloride	4	4	2	2	2
Barium chloride	2	2	1	1	1
Barium hydroxide	1	1	1	1	1
Benzaldehyde	1	1	1	4	4
Benzene	1	1	4	4	1
Benzoic acid	1	1	-	-	1
Borax	1	1	1	2	1
Boric acid	1	1	1	1	1
Bromine	4	4	-	-	1
Bromine chloride acid	4	4	1	2	1
Bromine hydrogen acid	4	4	1	4	1
Bromoethylene	1	1	-	-	-
Butanol	1	1	4	1	1
Butyl acetat	1	1	2	-	4
Butyric acid	1	1	-	-	-
Calcium bisulfate el sulfite	1	1	4	1	1
Calcium chloride	2	2	1	1	1
Calcium hydroxide	1	1	1	1	1
Calcium hypoklorite	2	3	1	3	1
Carbon disulfide	1	1	-	-	-
Carbon tetrachloride	1	1	4	3	1
Chloracetic acid (mono)	4	4	2	-	-
Chloride	4	4	-	-	-
Chloril acid	4	4	-	-	-
Chlorine (dry)	1	1	-	-	1
Chlorobenzene	1	1	4	4	1
Chloroform	2	2	4	4	1
Chlorosulfonic acid	2	3	4	4	3
Copper chloride	2	2	1	1	1
Copper nitrate	1	1	-	-	-
Copper sulfate	1	1	1	1	1
Ether	1	1	-	-	-
Ethyl chloride	1	1	1	1	1
Fatty acid	1	1	4	2	1
Flouiner (dry)	1	1	-	-	-
Flourine hydrogen acid	4	4	2	4	1
Formaldehyde	1	1	1	2	1
Formic acid	1	1	1	2	3
Furfural	1	1	2	4	4
Gallic acid	1	1	2	2	1
Hydrochloric acid	4	4	1	4	1
Hydrogen peroxide	1	1	3	4	2
Iodine (wet)	4	4	-	-	-

1 = Very good service to operating limit of material
 2 = Moderate service
 3 = Limited or variable service
 4 = Unsatisfactory

	AISI 316L	AISI 304	EPDM	NBR	FPM
Lead acetate	1	1	1	2	-
Magnesium chloride	2	2	1	1	1
Magnesium sulfate	1	1	1	1	1
Mercury	1	1	1	1	1
Methanol	1	1	1	1	3
Methyl chloride	1	1	3	4	1
Methylene chloride	2	2	4	4	2
Natphalene	1	1	4	4	1
Nickel chloride	2	2	1	1	1
Nickel sulfate	1	1	1	1	1
Nitric acid	3	3	3	4	1
Oxalic acid	3	3	1	2	1
Perchloric acid	4	4	2	-	1
Phosphor acid	1	1	2	4	1
Picric acid	1	1	2	2	1
Potassium bromide	1	1	-	-	-
Potassium carbonate	1	1	-	-	-
Potassium chlorate	1	1	-	-	-
Potassium cyanide	1	1	1	1	1
Potassium hydroxide	1	1	1	2	2
Potassium nitrate	1	1	1	1	1
Potassium permanganate	1	1	-	-	-
Potassium sulfate	1	1	1	1	1
Potassium sulfide	1	1	-	-	-
Potassiumchloride	2	2	1	1	1
Propylene dichloride	1	1	-	-	-
Sal ammonia	2	3	1	1	-
Silver nitrate	1	1	1	2	1
Soda (ash)	1	1	-	-	-
Sodium acetate	1	1	1	2	4
Sodium bicarbonate	1	1	1	1	1
Sodium bisulfate	1	3	-	-	-
Sodium bisulfite	1	1	1	1	1
Sodium bromide	2	2	-	-	-
Sodium chloride	1	1	-	-	-
Sodium chloride	4	4	-	-	-
Sodium cyanide	1	1	1	1	1
Sodium fluoride	1	1	-	-	-
Sodium hydroxide	1	1	1	2	2
Sodium hypoklorite	4	4	2	2	1
Sodium nitrate	1	1	1	2	-
Sodium sulfate	1	1	1	1	1
Sodium sulfide	1	1	-	-	-
Sodium sulfite	1	1	-	-	-
Stannic chloride	2	3	2	1	1
Sulfur	1	1	1	4	1
Sulfur chloride	1	1	4	3	1
Sulfur dioxide	1	2	1	4	1
Sulfuric acid	4	4	2	4	1
Sulfurous acid	1	3	2	2	1
Tionyl chloride	1	1	4	-	1
Toluene (toluol)	1	1	4	4	1
Trichloroethylene	1	1	4	3	1
Turpentine	1	1	4	1	1
Xylene (xylo)	1	1	-	-	-
Zinc sulfate	1	1	-	-	-

ACO, Inc.

West Sales Office info@acousa.com
 825 W. Beechcraft Street www.acousa.com
 Casa Grande, AZ 85122 www.acobuildingdrainage.us
 Tel: (520) 421-9988
 Toll-Free: (888) 490-9552
 Fax: (520) 421-9899

© March 2022 ACO, Inc.
 All reasonable care has been taken in compiling the information in this document. All recommendations and suggestions on the use of ACO products are made without guarantee since the conditions of use are beyond the control of the company. It is the customer's responsibility to ensure that each product is fit for its intended purpose and that the actual conditions of use are suitable. ACO, Inc. reserves the right to change products and specifications without notice.

ACO Specification Information

