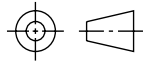
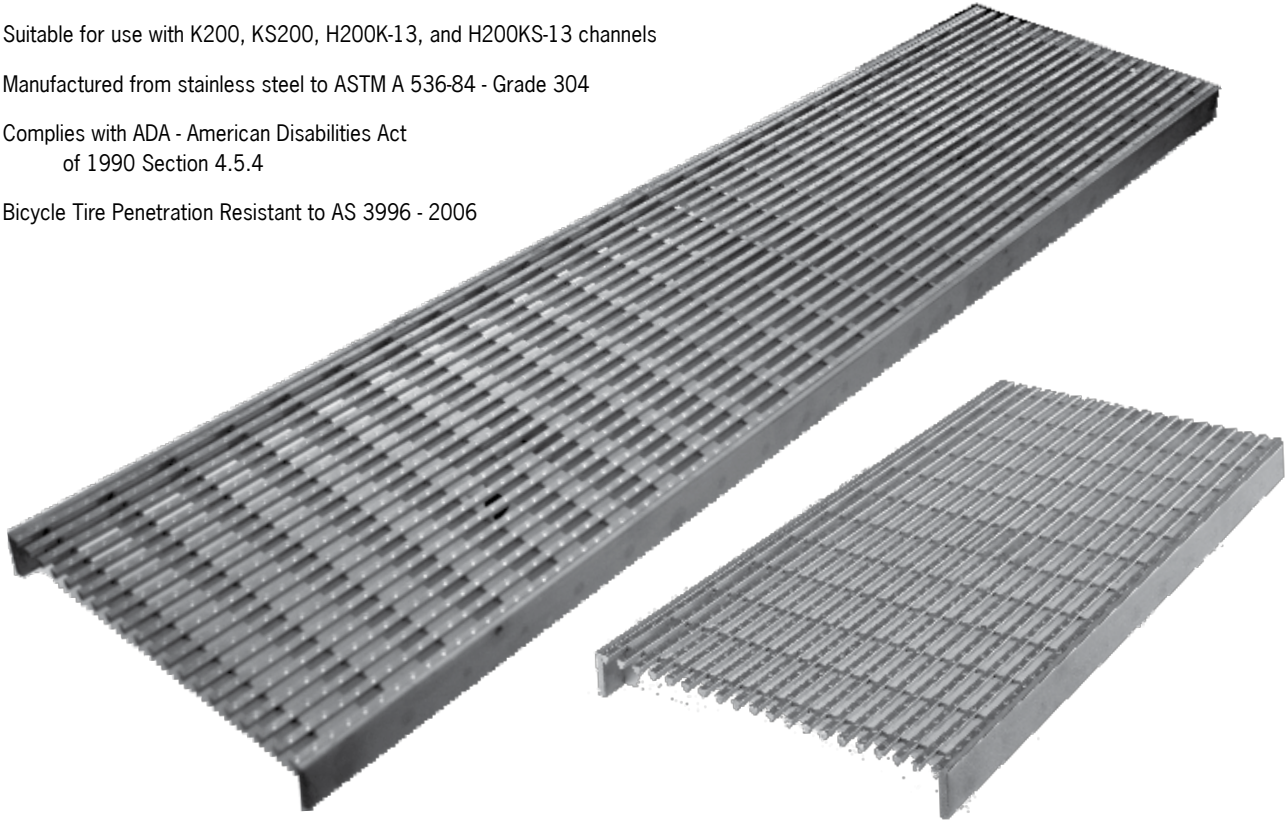


Type 647Q/648Q Longitudinal stainless steel grate (ADA)



Product Features

- Certified to EN 1433 Load Class B - 28,000 lbs - 484 psi
- Uses 'QuickLok' boltless locking system
- Suitable for use with K200, KS200, H200K-13, and H200KS-13 channels
- Manufactured from stainless steel to ASTM A 536-84 - Grade 304
- Complies with ADA - American Disabilities Act of 1990 Section 4.5.4
- Bicycle Tire Penetration Resistant to AS 3996 - 2006



ACO Specification Information

Specifications

General

The surface drainage system shall be ACO Drain K200, KS200, H200K-13, and H200KS-13, channels* complete with ACO Type 647Q/648Q longitudinal stainless steel grate (ADA) with 'QuickLok' locking as manufactured by ACO Polymer Products, Inc. or similar approved.

Materials

The covers shall be manufactured from stainless steel and have **minimum** properties as follows:

- **Independently certified to meet Load Class B to EN 1433 - 28,000 lbs - 484 psi**
- **16 gauge, Grade 304 stainless steel**
- **Intake area of 85.4 sq. in. (550.97 cm²) per half meter/171 sq. in. (103.2 cm²) per meter of grate**

The overall width of 9.37" (238mm) and overall length of 39.37" (1000mm) (Type 647Q) and overall length of 19.69" (500mm) (Type 648Q). Slots measure at a maximum of 1.56" (39.7mm).

Installation

The trench drain system and grates shall be installed in accordance with the manufacturer's installation instructions and recommendations.

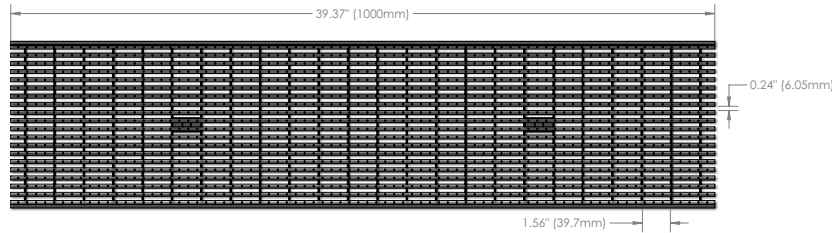
* delete as appropriate

ACO DRAIN

Type 647Q/648Q Longitudinal stainless steel grate (ADA)



Plan view

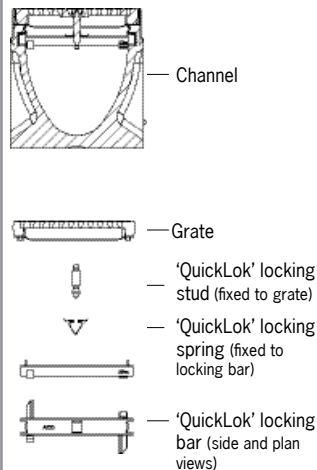


Side elevation



Description	Part No.	Length inches (mm)	Width inches (mm)	Weight lbs.
QuickLok grate				
Type 647Q Longitudinal stainless steel grate	98973	39.37 (1000)	9.37 (238)	17.7
Type 648Q Longitudinal stainless steel grate	98993	19.69 (500)	9.37 (238)	9.0
QuickLok locking bar	10457	-	-	0.5
QuickLok grate removal tool	01318	-	-	0.3

'QuickLok' locking mechanism



ACO 'QuickLok' is a patented boltless locking system, grates are removed and replaced with the minimum time and effort for ease of maintenance. The unique design provides a positive 'snap down' fit into the locking bar. A stud is fixed to the grate which 'locks' into the spring clip in the locking bar.

The 'QuickLok' stud is made from stainless steel and high density nylon, the locking bar and clip are stainless steel, for use in both general purpose and corrosive environments.

ACO Polymer Products, Inc.

Northeast Sales Office
 9470 Pinecone Drive
 Mentor, Ohio 44060
 Tel: (440) 639-7230
 Toll free: (800) 543-4764
 Fax: (440) 285-7005

West Sales Office
 P.O. Box 12067
 Casa Grande, AZ 85130
 Tel: (520) 421-9988
 Toll Free: (888) 490-9552
 Fax: (520) 421-9899

Southeast Sales Office
 4211 Pleasant Road
 Fort Mill, SC 29708
 Toll free: (800) 543-4764
 Fax: (803) 802-1063

Follow us on



Electronic Contact:
 info@ACODrain.us
 www.ACODrain.us



© February 2015 ACO Polymer Products, Inc. This information is believed to be accurate but it is not guaranteed to be so. We cannot assume liability for results that buyer obtains with our product since conditions of use are beyond the control of the company. It is the customer's responsibility to evaluate suitability and safety of product for his own use. ACO Polymer Products Inc. reserves the right to change the product and specifications without notice.